

NEW!

PERIMETER LIGHTING
TITAN Series



82006

TITAN
S E R I E S



Switch 766163
(sold separately)

Features

- SAE J595 (2014) Class 1
- Electrophoretic Painted (E-coat) die-cast aluminum base or impact resistant polycarbonate (PC)
- Fully encapsulated waterproof housing
- 4 mounting bracket options

- **5 Year Warranty**
 - **Synchronization**
 - **Dual Row - 2x the LEDs**
- (definitions refer to page 2)*

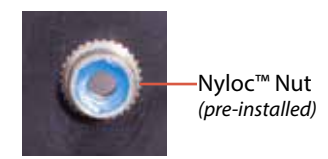
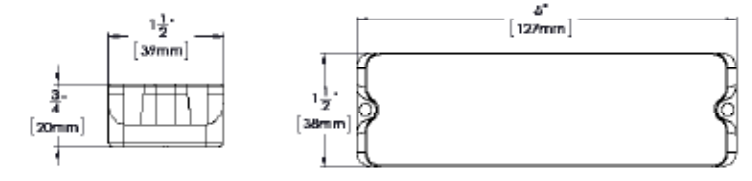
Available Colors



Recommended Mounting Solution
(sold separately - See page 64 for more options)



Dimensions



Part #	Vdc	Amps	#of LEDs	Lens Color	LED Color	Flash Patterns	Housing
82001	12-24	0.3A	12	CLR	Blue	13	Die-cast
82002	12-24	0.3A	12	CLR	White	13	Die-cast
82003	12-24	0.3A	12	CLR	Green	13	Die-cast
82005	12-24	0.3A	12	CLR	Red	13	Die-cast
✓82006	12-24	0.3A	12	CLR	Amber	13	Die-cast
82001PC	12-24	0.3A	12	CLR	Blue	13	Polycarbonate
✓82002PC	12-24	0.3A	12	CLR	White	13	Polycarbonate
82003PC	12-24	0.3A	12	CLR	Green	13	Polycarbonate
82005PC	12-24	0.3A	12	CLR	Red	13	Polycarbonate
82006PC	12-24	0.3A	12	CLR	Amber	13	Polycarbonate

- 98076 Single Bracket
- 98077 Double Horizontal
- 98078 Double Vertical
- 98079 Triple Vertical

* All mounting brackets are supplied with stainless steel #8-32 socket head cap screws and have pre-installed Nyloc™ nuts for ease of installation.

✓ = Top Seller PC = Polycarbonate

NEW!

PERIMETER LIGHTING
TITAN Series - DUAL Color



82026

TITAN
S E R I E S



Switch 766163
820xx series
(sold separately)



Switch 766152
821xx series
(sold separately)

Features

- SAE J595 (2014) Class 2
- Electrophoretic Painted (E-coat) die-cast aluminum base or impact resistant polycarbonate (PC)
- 821xx series allows for individual color control
- 4 mounting bracket options
- Other color combinations available upon request
- See mounting solutions and dimensions on opposite page

- **5 Year Warranty**
- **Synchronization**
- **Dual Row - 2x the LEDs**

Common Color Combinations



Part #	Vdc	Amps	Lens Color	LED Color	Flash Patterns	Housing	Color Control
✓82016	12-24	0.3A	CLR	Amber/Blue	13	Die-cast	-
✓82026	12-24	0.3A	CLR	Amber/White	13	Die-cast	-
82036	12-24	0.3A	CLR	Amber/Green	13	Die-cast	-
82056	12-24	0.3A	CLR	Amber/Red	13	Die-cast	-
82015	12-24	0.3A	CLR	Red/Blue	13	Die-cast	-
✓82016PC	12-24	0.3A	CLR	Amber/Blue	13	Polycarbonate	-
✓82026PC	12-24	0.3A	CLR	Amber/White	13	Polycarbonate	-
82036PC	12-24	0.3A	CLR	Amber/Green	13	Polycarbonate	-
82056PC	12-24	0.3A	CLR	Amber/Red	13	Polycarbonate	-
82015PC	12-24	0.3A	CLR	Red/Blue	13	Polycarbonate	-
✓82116	12-24	0.3A	CLR	Amber/Blue	13	Die-cast	✓
✓82126	12-24	0.3A	CLR	Amber/White	13	Die-cast	✓
82136	12-24	0.3A	CLR	Amber/Green	13	Die-cast	✓
82156	12-24	0.3A	CLR	Amber/Red	13	Die-cast	✓
82115	12-24	0.3A	CLR	Red/Blue	13	Die-cast	✓
✓82116PC	12-24	0.3A	CLR	Amber/Blue	13	Polycarbonate	✓
✓82126PC	12-24	0.3A	CLR	Amber/White	13	Polycarbonate	✓
82136PC	12-24	0.3A	CLR	Amber/Green	13	Polycarbonate	✓
82156PC	12-24	0.3A	CLR	Amber/Red	13	Polycarbonate	✓
82115PC	12-24	0.3A	CLR	Red/Blue	13	Polycarbonate	✓

✓ = Top Seller PC = Polycarbonate

NEW!

PERIMETER LIGHTING

Surface Mounts

Features

- Synchronizable for simultaneous or alternate flashing
- Die-cast base
- Tough polycarbonate lens
- Full rubber seals
- Mounting brackets are available
- **3 Year Warranty**

8007x Series



Switch 766175
(sold separately)

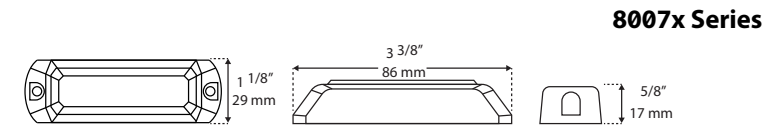
80058



80059



Dimensions



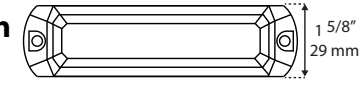
8007x Series

Available Colors

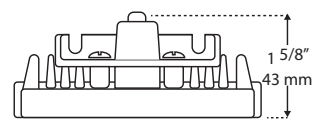


Recommended Mounting Solution

(sold separately - See page 64 for more options)



80058



80059

Available Models									
Part #	Vdc	Amps	LED Color	# of LEDs	Mounting	# Flash Patterns	Dimension	SAE	CA 13
80058	12-24	0.5	Amber	6	Surface	19	5" L x 5/8" H x 1 5/8" D	1	✓
✓80059	12-24	0.5	Amber	6	Hood Bracket	19	4 1/4" L x 1 5/8" H x 1" D	1	✓
80065	12-24	0.5	Red	6	Surface	19	5" L x 5/8" H x 1 5/8" D	1	✓
80066	12-24	0.7	Blue	6	Surface	19	5" L x 5/8" H x 1 5/8" D	1	✓
80071	12-24	0.3	Amber	3	Surface	12	3 3/8" L x 1 1/8" H x 5/8" D	1	
✓80072	12-24	0.4	Blue	3	Surface	12	3 3/8" L x 1 1/8" H x 5/8" D	2	
✓80073	12-24	0.4	Green	3	Surface	12	3 3/8" L x 1 1/8" H x 5/8" D	N/A	
80074	12-24	0.3	Red	3	Surface	12	3 3/8" L x 1 1/8" H x 5/8" D	1	✓
80075	12-24	0.4	White	3	Surface	12	3 3/8" L x 1 1/8" H x 5/8" D	2	
✓80080	12-24	0.7	White	6	Surface	19	5" L x 5/8" H x 1 5/8" D	1	
80081	12-24	0.7	AM/WH	6	Surface	19	5" L x 5/8" H x 1 5/8" D	N/A	
80084	12-24	0.7	AM/BL	6	Hood Bracket	19	5" L x 5/8" H x 1 5/8" D	N/A	

✓ = Top Seller

PERIMETER LIGHTING

Surface Mounts

Features

- **Low profile** for discrete mounting
- Synchronizable for simultaneous or alternate flashing
- Die-cast base
- Tough polycarbonate lens
- Full rubber seals
- Mounting brackets are available
- **3 Year Warranty**



Switch 766175
sold Separately

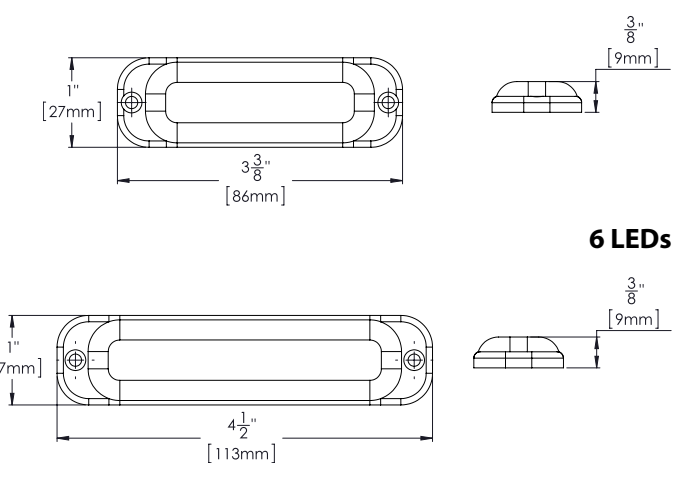


80271



80258

Dimensions



3 LEDs

6 LEDs

Available Colors



Recommended Mounting Solution

(sold separately - See page 64 for more options)

80090



80291



Available Models									
Part #	Vdc	Amps	LED Color	# of LEDs	Mounting	# Flash Patterns	Dimension	SAE	CA 13
✓80271	12-24	0.4	Amber	3	Surface	12	3 3/8" L x 1" H x 3/8" D	1	✓
80272	12-24	0.4	Blue	3	Surface	12	3 3/8" L x 1" H x 3/8" D	1	✓
80273	12-24	0.4	Green	3	Surface	12	3 3/8" L x 1" H x 3/8" D	N/A	
80274	12-24	0.3	Red	3	Surface	12	3 3/8" L x 1" H x 3/8" D	1	✓
80275	12-24	0.4	White	3	Surface	12	3 3/8" L x 1" H x 3/8" D	1	✓
✓80258	12-24	0.6	Amber	6	Surface	19	4 1/2" L x 1" H x 3/8" D	1	✓
80266	12-24	0.6	Blue	6	Surface	19	4 1/2" L x 1" H x 3/8" D	1	✓
80265	12-24	0.4	Red	6	Surface	19	4 1/2" L x 1" H x 3/8" D	1	✓
80280	12-24	0.6	White	6	Surface	19	4 1/2" L x 1" H x 3/8" D	1	✓
✓80281	12-24	0.6	AM/WH	6	Surface	19	4 1/2" L x 1" H x 3/8" D	1	
80278	12-24	0.5	Red/BL	6	Surface	19	4 1/2" L x 1" H x 3/8" D	1	
80090	L Brackets for 3 LED								
80291	L Brackets for 6 LED								

✓ = Top Seller

NEW!

SWS

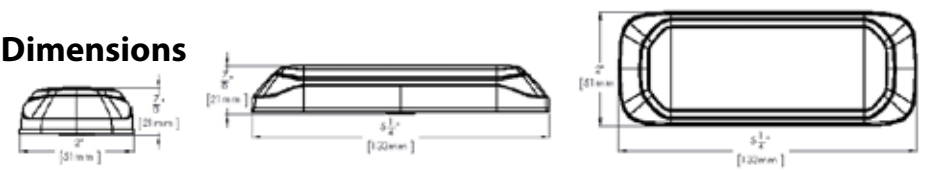
PERIMETER LIGHTING Dual Function LED Strobes

Features

- SAE J595 (2014) Class 1 & CA13 compliant warning light
- SAE J592 (marker light) and SAE 2042 (clearance light) compliant
- Central 6 LED warning light with perimeter steady burn light (Red or White)
- Synchronizable warning light control and operation
- Die-cast aluminum housing with polycarbonate front lens and rubber seals
- **3 Year Warranty**



Dimensions



Available Models										
Part #	Vdc	Amps	Warn Color	Halo Color	Mounting	# Flash Patterns	SAE	CA13	Dimension	
83062	12-24	0.5	Amber	White	Surface	19	Class 1	✓	5 1/4" L x 7/8" H x 2" D	
83069	12-24	0.5	Amber	Red	Surface	19	Class 1	✓	5 1/4" L x 7/8" H x 2" D	

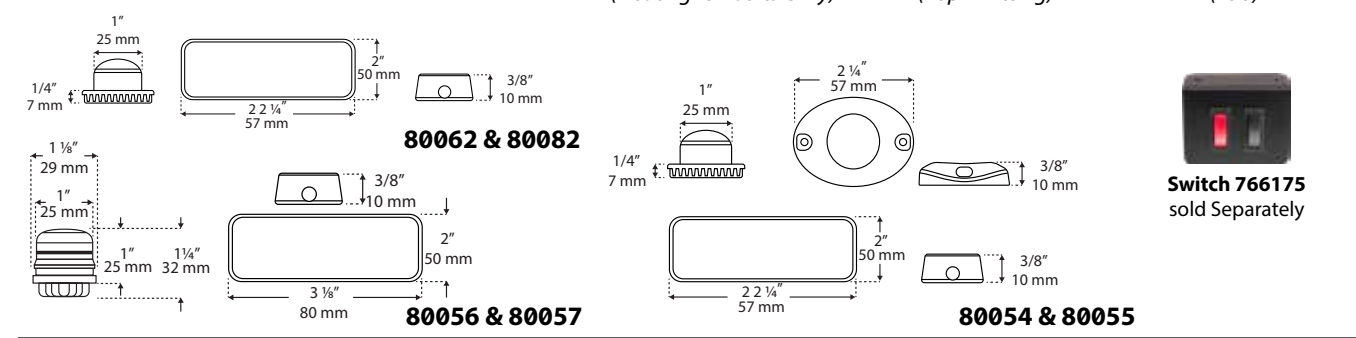
Headlight Inserts

Features

- Synchronizable for simultaneous or alternate flashing
- Aluminium base for optimum thermal transfer
- In-line driver and extension cable
- Easy installation
- Bezel can be bought separately (Part# 866100)
- **3 Year Warranty**



Dimensions



Available Models						
Part #	Vdc	Amps	LED Color	# of LEDs	Mounting	
✓ 80054W	12-24	1.8	White	6	Screw	
✓ 80055W	12-24	1.8	Amber	6	Screw	
80056W	12-24	1.8	White	6	Pop-in	
80057W	12-24	1.8	Amber	6	Pop-in	
✓ 80062W	12-24	1.8	White	9	Screw	
✓ 80082W	12-24	1.8	Amber	9	Screw	
	77800	12' extension cable				



PERIMETER LIGHTING Self Contained LED Strobes

Features

- SAE J595 (2014) Class 1
- Waterproof grommet mount
- Can be synchronizable in alternating patterns
- Includes pigtail and grommet
- **Oval mounting option (98601) sold separately**



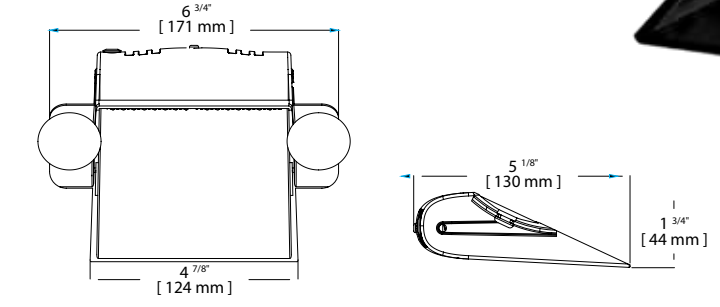
Available Models			
Part #	VDC	LED Color	Dimensions
Round			
✓ 80010	12-24	Red	4" D x 1 3/4" H
✓ 80011	12-24	Amber	4" D x 1 3/4" H
80012	12-24	Blue	4" D x 1 3/4" H
80013	12-24	White	4" D x 1 3/4" H
Oval			
✓ 80014	12-24	Red	6 3/8" L x 2 1/8" x 1 3/4" H
✓ 80015	12-24	Amber	6 3/8" L x 2 1/8" x 1 3/4" H
80016	12-24	Blue	6 3/8" L x 2 1/8" x 1 3/4" H
80017	12-24	White	6 3/8" L x 2 1/8" x 1 3/4" H

LED Auxiliary

Features

- SAE J595 (2014) Class 1 & CA13
- 19 selectable flash patterns
- Angle adjustable light output
- Suction cup mounting feature with 12 ft cigarette cord
- Split-color options
- **3 Year Warranty**

Dimensions



Available Models						
Part #	Vdc	Amps	LED Color	# of Flash Patterns	Dimension	
✓ 80076	12	0.5	Amber	19	5 1/8" L x 1 3/4" H x 6 3/4" W	
✓ 80077	12	0.5	Green	19	5 1/8" L x 1 3/4" H x 6 3/4" W	
80078	12	0.5	Red/Blue	19	5 1/8" L x 1 3/4" H x 6 3/4" W	
80079	12	0.5	Red	19	5 1/8" L x 1 3/4" H x 6 3/4" W	
80083	12	0.5	Amber/White	19	5 1/8" L x 1 3/4" H x 6 3/4" W	

✓ = Top Seller

✓ = Top Seller