

Rugged DC to DC converter designs for:

- ◆ Transit buses
- ◆ Heavy-duty trucks
- ◆ Tour buses
- ◆ Off-highway equipment



Overview

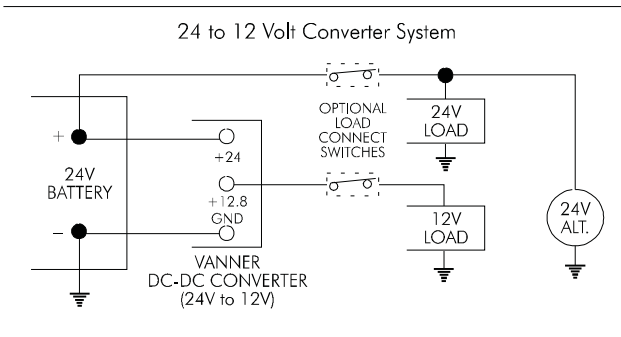
DC to DC converters provide high current 12 and 24 volt voltage conversion for vehicle systems. Vanner converters have low ripple, regulated DC outputs, making them compatible with a wide variety of electrical loads.

DC to DC Converter Features:

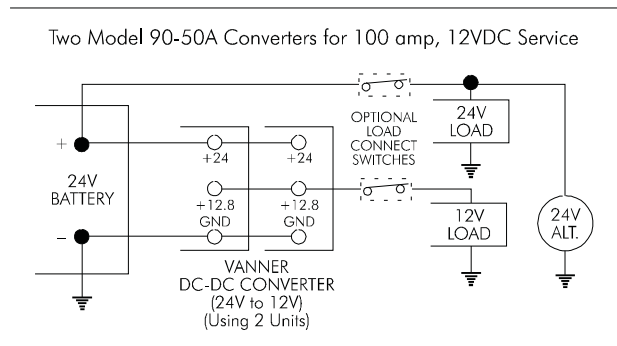
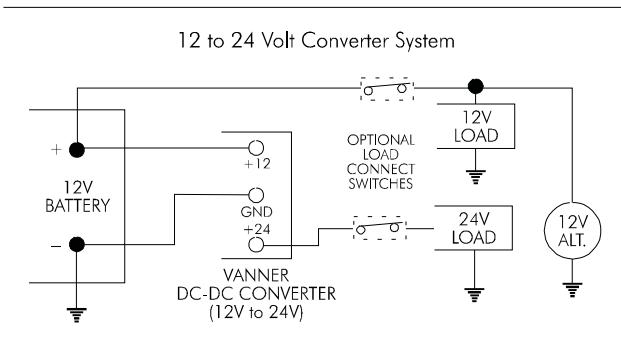
- ◆ Solid state circuitry
- ◆ Low output ripple
- ◆ Corrosion-resistant case
- ◆ Reverse polarity protection
- ◆ Input transient protection
- ◆ Excellent regulation
- ◆ Resettable circuit breaker
- ◆ Current limiting
- ◆ Short-circuit proof
- ◆ Overvoltage protection

Vanner's DC to DC converters are designed to withstand the severe environments of heavy-duty vehicles. All models feature a corrosion-resistant anodized aluminum case and large threaded terminals for easy wiring. The case is accessible for repair of the solid state circuit should the need ever arise.

Models are available in different output current levels and offer conversions from 24 to 12 volts DC as well as from 12 to 24 volts DC.

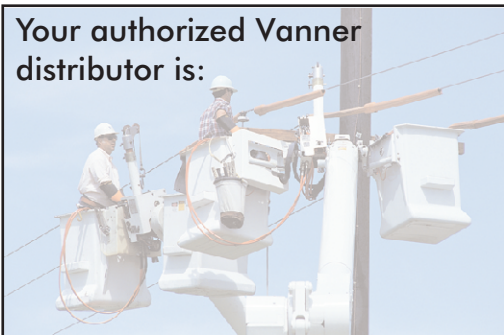


EXPERIENCE THE POWER.



DC to DC Converter Specifications			
Model Number:	90-20A	90-50A	91-10A
Input Voltage:	22-35Vdc	22-35Vdc	11-16Vdc
Output Voltage:	12.8Vdc	12.8Vdc	24.2Vdc
Capacity:	20 amps	50 amps	10 amps
Dimensions (HxWxD):	9.38" x 8.5" x 3.5"	13.38" x 8.5" x 3.5"	9.38" x 8.5" x 3.5"
Weight:	5 lbs.	5 lbs.	5 lbs.

Vanner's policy is one of continuous improvement. We reserve the right to change specifications without notice.



Corporate Office:

4282 Reynolds Drive
Hilliard, Ohio 43026

©Copyright 2001, Vanner, Inc.

Printed July 2001

"Vanner" and "Vanner/Sine-wave Design" are trademarks of Vanner, Inc.

Utility Truck photos on page 1 courtesy of Fleet Electric.

Bus photo courtesy of Neoplan USA.



800-AC POWER