

2018 VAN STORAGE SOLUTIONS

weather guard®

UNMATCHED SECURITY & DURABILITY





DESIGNED WITH THE PROFESSIONAL

WEATHER GUARD® Van Solutions are ready to roll with game changing improvements based on years of research and your input. Durable, professional grade shelving, improved bulkheads, customizable organizational features, and a host of smart new accessories, designed around the common sense idea that tools and equipment belong on the shelf, not the floor.





TABLE OF CONTENTS

VEHICLE FITTING GUIDE	4
BULKHEADS	8
Bulkhead Accessories	8
Van Bulkheads.....	9
SHELVING	12
Adjustable Shelving	12
Shelving, Mounting Kits and Accessories.....	13
Secure Storage	14
EZ Cube Welded Shelving.....	15
ACCESSORIES	16
Shelving Accessories	16
REDZONE Accessories.....	17
Cabinets and Grab & Go Tool Cart.....	18
Lockable Storage and Work Tops	19
Floor and Door Storage.....	21
Cab Command Center	22
Window Screens and Floor Mats.....	23
SPECIALTY STORAGE	24
PACK RAT® Drawer Units	24
ITEMIZER® Drawer Units.....	26
BED RAT® Sliding Platform.....	27
ROOF RACKS	28
EZGLIDE2™ Drop-Down Ladder Rack	28
Rack Accessories	29
Quick Clamp Aluminum Racks.....	30
All-Purpose Racks	32
Safari Rack.....	33
Sliding Ladder Rack.....	33
Conduit Carriers	33
ROOF RACK FITTING GUIDE	34
PART NUMBER REFERENCE GUIDE	35

VEHICLE FITTING GUIDE

The Weather Guard Van catalog is organized to help you work through the five zones of your van when planning your Weather Guard storage system. The van layout figures on the next few pages provide details to get started working on your van's interior. Weather Guard PRO PACKAGES for each van roof height and wheel base combination can be used either as a complete upfit package or a starting point for a custom upfit. Weather Guard van products can be ordered as a package or item by item. The PRO PACKAGES are located on our web site at www.weatherguard.com and in each of our Van OEM Brochures. If you need more help, your local Weather Guard distributor is a great resource for all your upfitting questions. Go to www.weatherguard.com to locate a distributor near you.

ZONE 1 BULKHEAD

- Choose bulkhead style for your van.
- Do you need windows, vented screens or solid panels?
- Do you need a hinged door?
- What tools and equipment do you hang on your bulkhead?

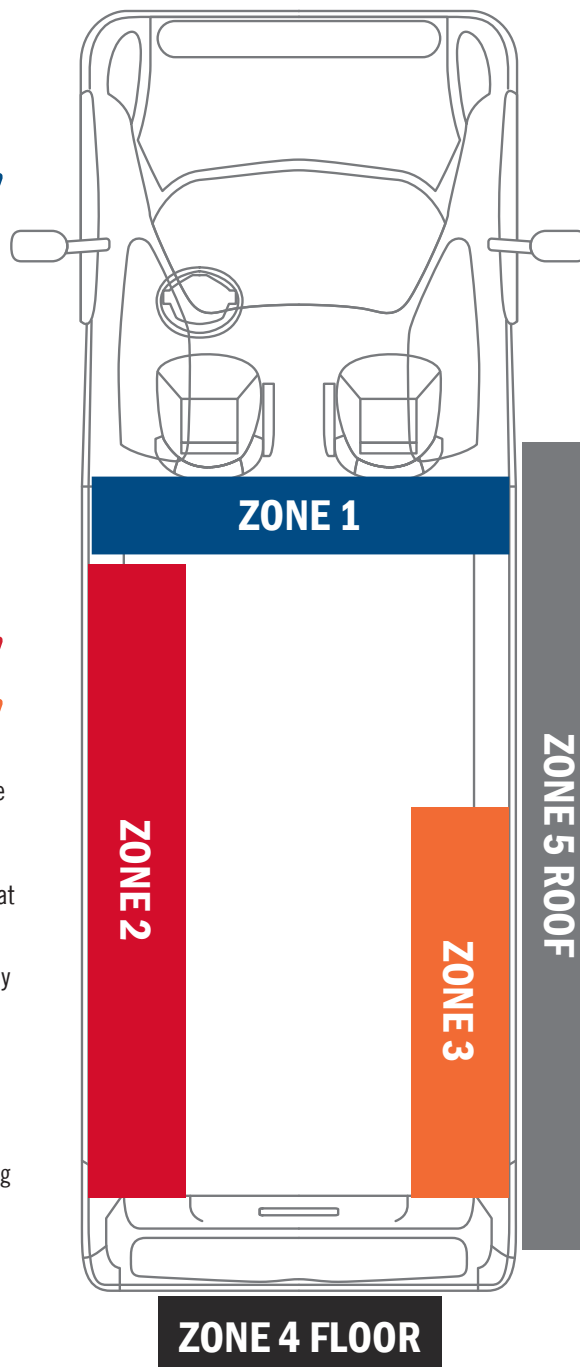
My needs:

ZONE 2 DRIVER SIDE

ZONE 3 PASSENGER SIDE

- Use Vehicle Fitting Guides to determine available space in van or start with a Professional Trade Package. Find the OEM Van Brochure for your model van at www.weatherguard.com.
- Choose shelving units that fit your daily work needs.
- What cabinets, bins and organization accessories would help you be more productive?
- Do you need to keep a space open along the side of the van for special tools or equipment??

My needs:



ZONE 4 FLOOR

- PACK RAT® Drawer Units and ITEMIZER® Drawer Units mount to the floor of the van and provide easy access to tools, parts, and equipment.
- What space do you need to keep open between the shelving for equipment you store in your van or transport to your jobsite?

My needs:

ZONE 5 ROOF

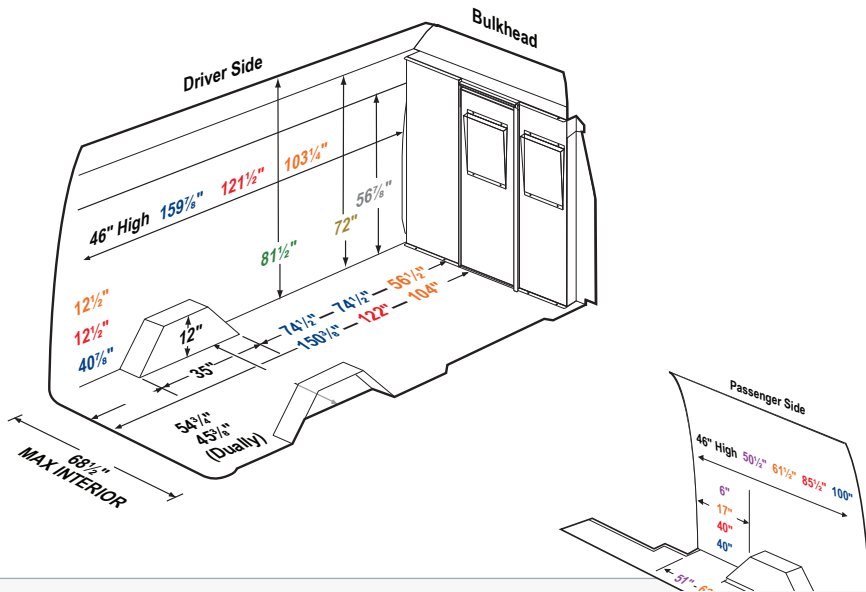
- What do you carry on your roof and how often do you need to reach it?
- How tall is your van roof? Low, Mid, or High?
- Check your van manufacturer's web site for how much weight it can safely carry.
- Choose from EZGlide2™ Drop-Down, QUICK CLAMP® or All-Purpose Racks for your best roof storage solution.
- Consider roof rack accessories like conduit carriers and tie downs.

My needs:

FORD TRANSIT

The dimensions show in this guide refer to model year 2018 and earlier Ford Transit vans. Always measure your van carefully to make sure that the equipment you choose will fit properly. Verify the location of the gas tank, brake lines, wiring harness, etc. before installing any equipment. Shelving Mounting Kits are recommended. Do not exceed the van manufacturer's roof load rating.

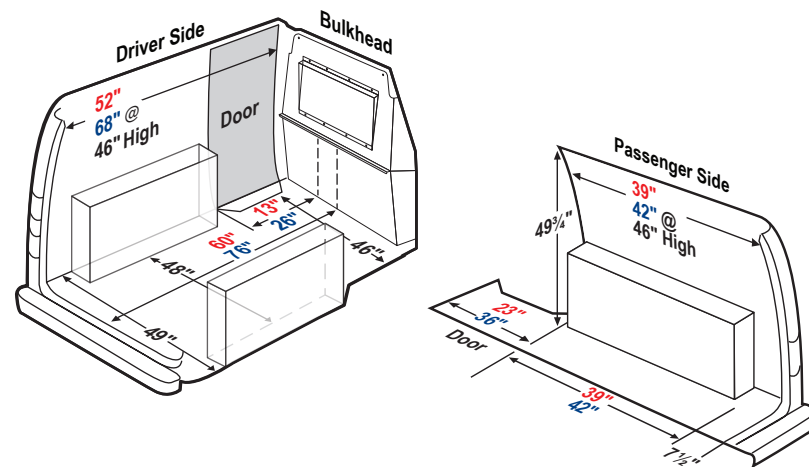
- Low Roof ■ Mid Roof ■ High Roof
- 130" Wheel Base ■ 148" Wheel Base
- 148" Extended Wheel Base



FORD TRANSIT CONNECT

The dimensions show in this guide refer to model year 2014-2018 Ford Transit Connect vans. Always measure your van carefully to make sure that the equipment you choose will fit properly. Verify the location of the gas tank, brake lines, wiring harness, etc. before installing any equipment. Shelving Mounting Kits are recommended. Do not exceed the van manufacturer's roof load rating.

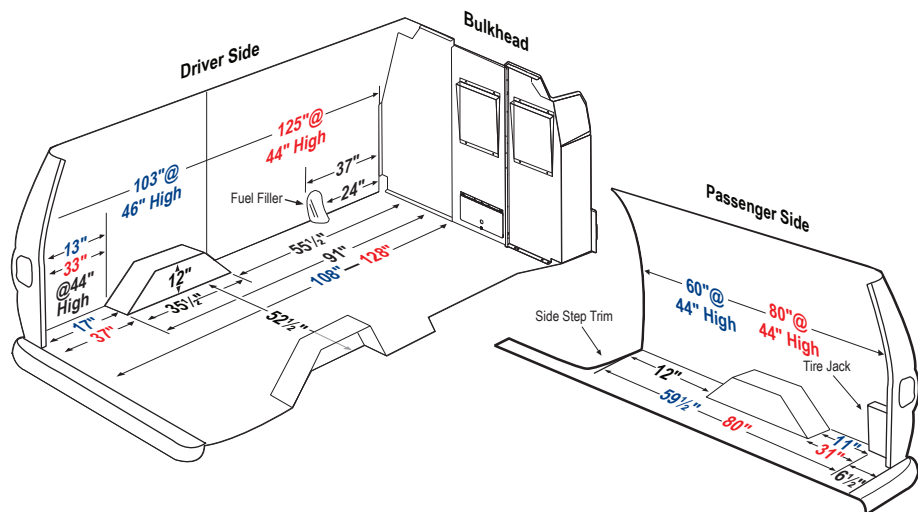
- 104.8" Wheel Base
- 120.6" Extended Wheel Base



FORD E-SERIES

The dimensions show in this guide refer to model year 2009-2013 Ford E-series vans. Always measure your van carefully to make sure that the equipment you choose will fit properly. Verify the location of the gas tank, brake lines, wiring harness, etc. before installing any equipment. Shelving Mounting Kits are recommended. Do not exceed the van manufacturer's roof load rating.

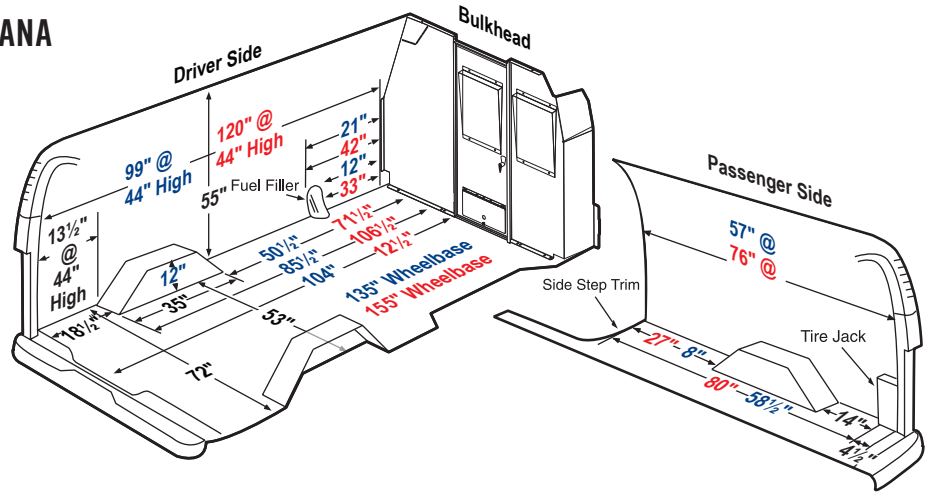
- Standard Wheel Base
- Extended Wheel Base



CHEVROLET EXPRESS / GMC SAVANA

The dimensions show in this guide refer to model year 2018 and earlier Chevrolet Express and GMC Savana vans. Always measure your van carefully to make sure that the equipment you choose will fit properly. Verify the location of the gas tank, brake lines, wiring harness, etc. before installing any equipment. Shelving Mounting Kits are recommended. Do not exceed the van manufacturer's roof load rating.

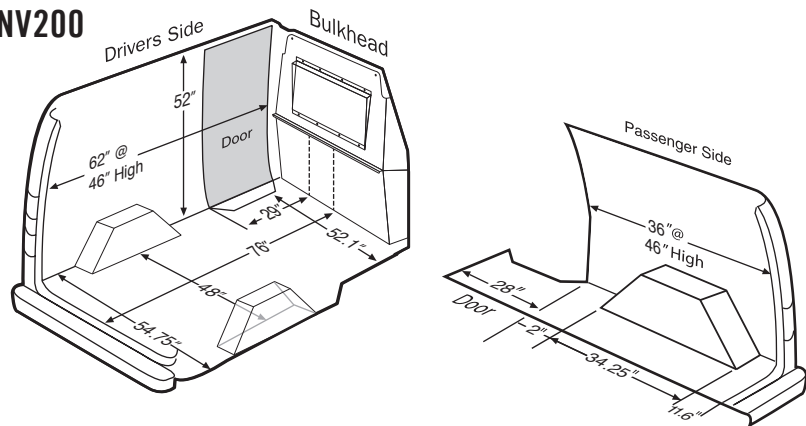
■ 135" Wheel Base ■ 155" Wheel Base



CHEVROLET CITY EXPRESS / NISSAN NV200

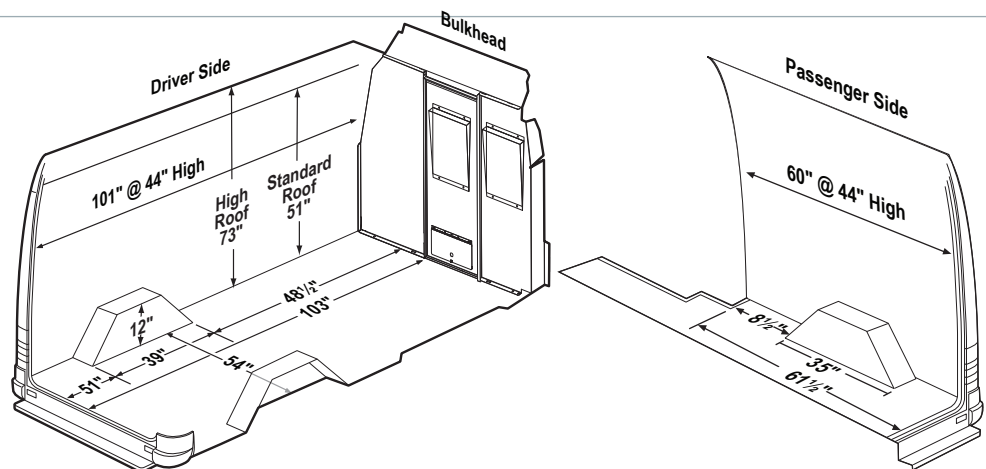
The dimensions show in this guide refer to model year 2018 and earlier Chevrolet City Express and Nissan NV200 vans. Always measure your van carefully to make sure that the equipment you choose will fit properly. Verify the location of the gas tank, brake lines, wiring harness, etc. before installing any equipment. Shelving Mounting Kits are recommended. Do not exceed the van manufacturer's roof load rating.

■ 115" Wheel Base



NISSAN NV

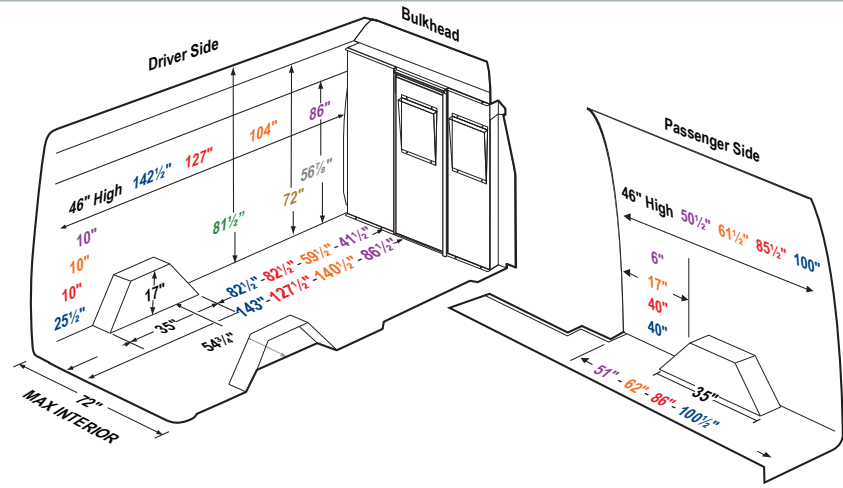
The dimensions show in this guide refer to model year 2018 and earlier Nissan NV vans. Always measure your van carefully to make sure that the equipment you choose will fit properly. Verify the location of the gas tank, brake lines, wiring harness, etc. before installing any equipment. Shelving Mounting Kits are recommended. Do not exceed the van manufacturer's roof load rating.



RAM PROMASTER®

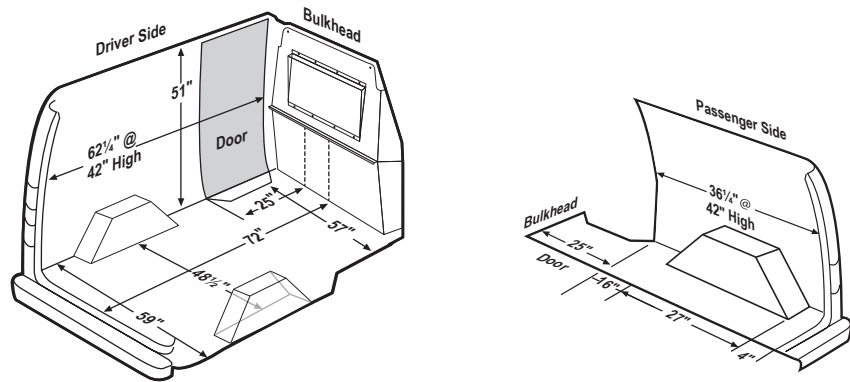
The dimensions show in this guide refer to model year 2018 and earlier RAM Promaster vans. Always measure your van carefully to make sure that the equipment you choose will fit properly. Verify the location of the gas tank, brake lines, wiring harness, etc. before installing any equipment. Shelving Mounting Kits are recommended. Do not exceed the van manufacturer's roof load rating.

- Low Roof
- High Roof
- 118" Wheel Base
- 138" Wheel Base
- 159" Wheel Base
- 159" Extended Wheel Base



RAM PROMASTER CITY™

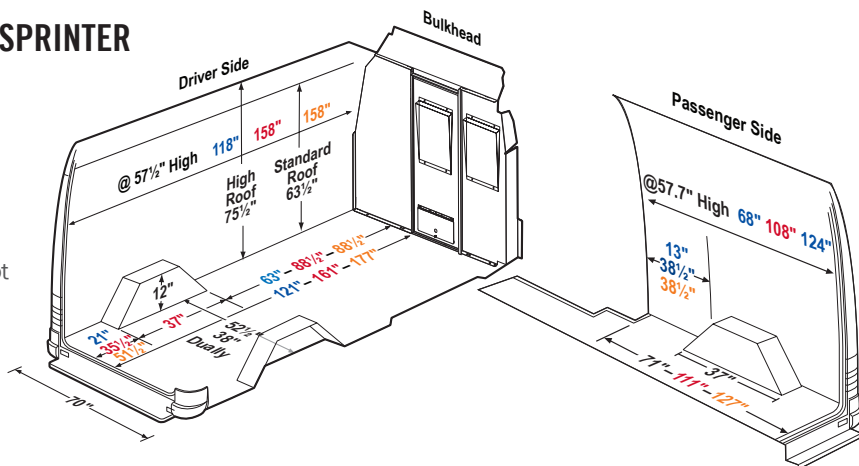
The dimensions show in this guide refer to model year 2018 and earlier RAM ProMaster City vans. Always measure your van carefully to make sure that the equipment you choose will fit properly. Verify the location of the gas tank, brake lines, wiring harness, etc. before installing any equipment. Shelving Mounting Kits are recommended. Do not exceed the van manufacturer's roof load rating.



MERCEDES / FREIGHTLINER / DODGE SPRINTER

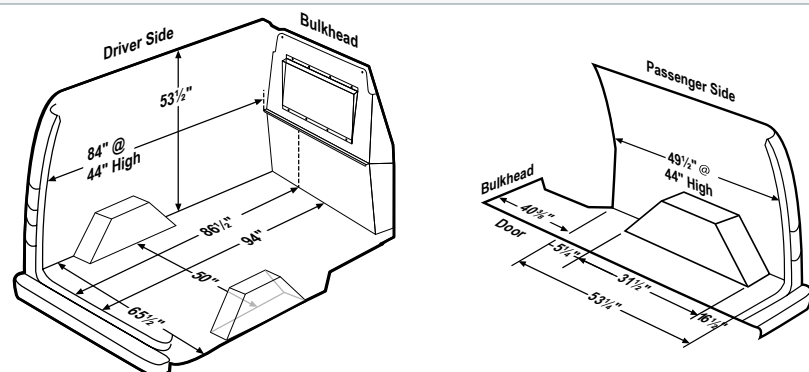
The dimensions show in this guide refer to model year 2007-2018 Sprinter NV vans. Always measure your van carefully to make sure that the equipment you choose will fit properly. Verify the location of the gas tank, brake lines, wiring harness, etc. before installing any equipment. Shelving Mounting Kits are recommended. Do not exceed the van manufacturer's roof load rating.

- 170" Extended Wheel Base
- 170" Wheel Base
- 144" Wheel Base



MERCEDES METRIS

The dimensions show in this guide refer to model year 2018 and earlier Mercedes Metris vans. Always measure your van carefully to make sure that the equipment you choose will fit properly. Verify the location of the gas tank, brake lines, wiring harness, etc. before installing any equipment. Shelving Mounting Kits are recommended. Do not exceed the van manufacturer's roof load rating.



BULKHEADS

Our Full-Size, High-Roof, and Compact van bulkheads allow you to separate the driver compartment from the cargo area for maximum protection against shifting loads. Exclusive polycarbonate windows improve visibility and safety. Tighter panel design ensures cabin comfort for both noise and temperature. WEATHER GUARD® Bulkheads are available for all commercial van types and sizes, from high-roof to compact. Several bulkhead accessories are available to keep you organized.

WEATHER GUARD® EXCLUSIVE!

EASY INSTALLATION

with sidewall and roof mounting brackets and pre-punched mounting holes for WEATHER GUARD® accessories

HEAVY GAUGE STEEL

is used for strength and durability

IMPROVED IMPACT RESISTANCE

protects you from loose objects in the cargo area

EXCLUSIVE 9" X 12" DOG HATCH™ DOOR

allows easy loading of long materials by utilizing the floor space in front of the bulkhead



POLYCARBONATE WINDOW BULKHEADS

allow for improved visibility, security and comfort

PROVIDES IMPROVED HEATING AND COOLING EFFICIENCY

in the cab, reduces noise level, too

NEW VERTICAL PANEL DESIGN

reduces ambient noise levels

OPTIONAL HINGE KIT

converts bulkhead to swing door version with lockable latch

REDZONE ACCESSORIES FOR THE BULKHEAD

WEATHER GUARD® Bulkhead Accessories let you create a custom storage solution that securely organizes the items you need to locate quickly and easily.

Check out REDZONE Accessories starting on page 17 for more details

Bulkhead Accessories*

MODEL	DESCRIPTION	WEIGHT
1 9879-7-01	Tool Organizer	3 lbs.
2 8875	Hard Hat Bracket	2 lbs.
3 8866	Fire Extinguisher	6 lbs.
4 8877-3	Practice Holder	4 lbs.
5 96901-3-01	Hinge Kit	4 lbs.
6 96903-3-01	Solid Panel Kit	10 lbs.





NOW AVAILABLE! Deep offset bulkheads for Ford Transit vans provides full seat travel and extra legroom. Designated by a "D" at the end of the part number.



Model 96301-3-01

Model 96302-3-01

Ford Transit Van Low-Roof Bulkhead

MODEL	DESCRIPTION	WEIGHT
96301-3-01	Window Bulkhead - <i>Transit (low-roof)</i>	67 lbs.
96302-3-01	Screen Bulkhead - <i>Transit (low-roof)</i>	67 lbs.
96301-3-01D	Deep Offset Window Bulkhead - <i>Transit (low-roof)</i>	70 lbs.
96302-3-01D	Deep Offset Screen Bulkhead - <i>Transit (low-roof)</i>	70 lbs.
96901-3-01	Hinge Kit converts bulkhead to swinging door with lockable latch	4 lbs.
96903-3-01	Solid Bulkhead Panel Adapter Kit	10 lbs.



Model 96311-3-01

Model 96312-3-01

Ford Transit Van Mid-Roof Bulkhead

MODEL	DESCRIPTION	WEIGHT
96311-3-01	Window Bulkhead - <i>Transit (mid-roof)</i>	108 lbs.
96312-3-01	Screen Bulkhead - <i>Transit (mid-roof)</i>	108 lbs.
96311-3-01D	Deep Offset Window Bulkhead - <i>Transit (mid-roof)</i>	111 lbs.
96312-3-01D	Deep Offset Screen Bulkhead - <i>Transit (mid-roof)</i>	111 lbs.
96901-3-01	Hinge Kit converts bulkhead to swinging door with lockable latch	4 lbs.
96903-3-01	Solid Bulkhead Panel Adapter Kit (for all full size bulkheads)	10 lbs.



Model 96321-3-01

Model 96322-3-01

Ford Transit Van High-Roof Bulkhead

MODEL	DESCRIPTION	WEIGHT
96321-3-01	Window Bulkhead - <i>Transit (high-roof)</i>	108 lbs.
96322-3-01	Screen Bulkhead - <i>Transit (high-roof)</i>	108 lbs.
96321-3-01D	Deep Offset Window Bulkhead - <i>Transit (high-roof)</i>	111 lbs.
96322-3-01D	Deep Offset Screen Bulkhead - <i>Transit (high-roof)</i>	111 lbs.
96901-3-01	Hinge Kit converts bulkhead to swinging door with lockable latch	4 lbs.
96903-3-01	Solid Bulkhead Panel Adapter Kit	10 lbs.



Model 96111-3-02

Model 96511-3-02

Ford Transit Connect Van Bulkhead

Window bulkheads offer unobstructed visibility of the cargo area, side door, and rear door. Maximizes comfort in the passenger area. Lightweight mesh bulkheads deliver full driver and cargo protection.

MODEL	DESCRIPTION	WEIGHT
96511-3-02	Window Bulkhead** - <i>Transit Connect</i>	40 lbs.
96111-3-02	Mesh Bulkhead - <i>Transit Connect</i>	35 lbs.

**Ford Transit Connect (2010 - 2013 model years) use -01 instead of -02

See next page for Ford Econoline.



Chevy/GM/Ford Econoline Full Size Van Bulkhead

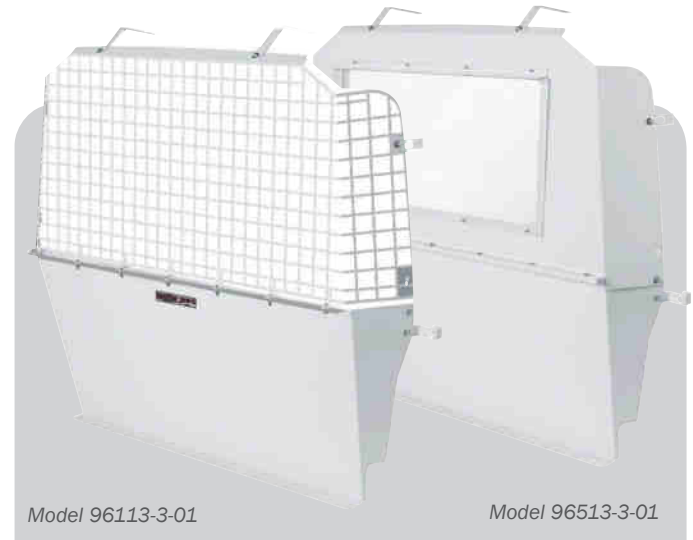
Offers improved visibility and a large area to mount accessories while providing safety and security for occupants and cargo.

MODEL	DESCRIPTION	WEIGHT
96101-3-01	Window Bulkhead	65 lbs.
96102-3-01	Screen Bulkhead	65 lbs.
96901-3-01	Hinge Kit converts bulkhead to swinging door with lockable latch	4 lbs.
96903-3-01	Solid Bulkhead Panel Adapter kit	10 lbs.

Compact Van Bulkhead

Window bulkheads offer unobstructed visibility of the cargo area, side door, and rear door. Maximizes comfort in the passenger area. Lightweight mesh bulkheads deliver full driver and cargo protection.

MODEL	DESCRIPTION	WEIGHT
96514-3-01	Window Bulkhead - City Express	40 lbs.
96114-3-01	Mesh Bulkhead - City Express	35 lbs.



Bulkhead for Sprinter Standard/High Roof

Offers improved visibility and a large area for accessory mounts and holders while providing safety and security for occupants and cargo. Includes header panels for standard and high roof bans.

MODEL	DESCRIPTION	WEIGHT
96121-3-01	Window Bulkhead - Sprinter	105 lbs.
96122-3-01	Screen Bulkhead - Sprinter	105 lbs.
96901-3-01	Hinge Kit converts bulkhead to swinging door with lockable latch	4 lbs.
96903-3-01	Solid Bulkhead Panel Adapter (for all full or high-roof bulkheads)	10 lbs.

Bulkhead for Metris

Window bulkheads offer unobstructed visibility of the cargo area, side door, and rear door. Maximizes comfort in the passenger area. Lightweight mesh bulkheads deliver full driver and cargo protection.

MODEL	DESCRIPTION	WEIGHT
96113-3-01	Mesh Bulkhead - Metris	69 lbs.
96513-3-01	Window Bulkhead - Metris	69 lbs.

WEATHER GUARD® EXCLUSIVE!





NEW!

Redesigned RAM Promaster bulkheads now offer increased leg room and full seat travel.

BULKHEADS



Model 96142-3-01

Model 96141-3-01

RAM ProMaster® Standard/High Roof Bulkhead

Offers improved visibility and a large area for accessory mounts and holders while providing safety and security for occupants and cargo. Includes header panels for standard and high roof bans.

MODEL	DESCRIPTION	WEIGHT
96141-3-01	Window Bulkhead - ProMaster®	105 lbs.
96142-3-01	Screen Bulkhead - ProMaster®	105 lbs.
96901-3-01	Hinge Kit converts bulkhead to swinging door with lockable latch	4 lbs.
96903-3-01	Solid panel adapter kit for all full and high roof bulkheads	10 lbs.



Model 96112-3-01

Model 96512-3-01

Bulkhead for Ram ProMaster City™

Window bulkheads offer unobstructed visibility of the cargo area, side door, and rear door. Maximizes comfort in the passenger area. Lightweight mesh bulkheads deliver full driver and cargo protection.

MODEL	DESCRIPTION	WEIGHT
96112-3-01	Mesh Bulkhead, Ram ProMaster City™	35 lbs.
96512-3-01	Window Bulkhead, Ram ProMaster City™	40 lbs.



Model 96201-3-01

Nissan NV Standard & High Roof Bulkhead

Offers extensive rear and side visibility while providing occupant protection and cargo security.

MODEL	DESCRIPTION	WEIGHT
96201-3-01	Window Bulkhead - Nissan NV (Includes extension panel for high-roof vans)	70 lbs.
96202-3-01	Screen Bulkhead - Nissan NV (Includes extension panel for high-roof vans)	70 lbs.
96901-3-01	Hinge Kit converts bulkhead to swinging door with lockable latch	4 lbs.
96903-3-01	Solid Bulkhead Panel Adapter kit	10 lbs.



Model 96114-3-01

Model 96514-3-01

Nissan NV Standard & High Roof Bulkhead

Offers extensive rear and side visibility while providing occupant protection and cargo security.

MODEL	DESCRIPTION	WEIGHT
96114-3-01	Mesh Bulkhead - Nissan NV200	35 lbs.
96514-3-01	Window Bulkhead - Nissan NV200	40 lbs.

ADJUSTABLE SHELVING

Durable, professional grade WEATHER GUARD® Van Shelving takes it to the max! Maximum customization and capacity, for maximum productivity. Shelves can be adjusted quickly without removing them from the van. Assembly and installation is faster and easier than before. Customize your storage solution with shelving accessories starting on page 16.

WEATHER GUARD® EXCLUSIVE!



17° TAPERED END PANEL CLOSER FIT

for more working space inside the van



DEEP FULLY HEMMED SHELVES

sized for tools, equipment, and other materials



EASY TO CUSTOMIZE

with pre-punched mounting holes for WEATHER GUARD® accessories and cabinets

EASY TO ASSEMBLE AND INSTALL

with captive nuts on each shelf and complete installation hardware



ADJUSTABLE DIVIDERS

Includes pack of four adjustable dividers for each shelf

PUNCHED SHELVES

for easier installation of accessory cabinets

FRONT FLOOR CLEARANCE (16" SHELVES ONLY)

for material storage. Fits PACK RAT® Drawer Units

UNMATCHED DURABILITY

achieved with heavy duty 18 gauge steel construction

FLAT FRONTS

on 13-1/2" deep adjustable shelves. Mount doors and accessories at floor level

Shelf Units: Ships complete in one cartonn

MODEL	HEIGHT	WIDTH	DEPTH	SHELVES	DIVIDERS	WEIGHT
9333-3-03	34"	36"	13½"	2	8	48 lbs.
9334-3-03	34"	42"	13½"	2	8	48 lbs.
9335-3-03	34"	52"	13½"	2	8	72 lbs.
9336-3-03	34"	60"	13½"	2	8	70 lbs.
9343-3-03	44"	36"	16"	3	12	74 lbs.
9344-3-03	44"	42"	16"	3	12	80 lbs.
9345-3-03	44"	52"	16"	3	12	85 lbs.
9346-3-03	44"	60"	16"	3	12	104 lbs.
NEW! 9352-3-03	44"	28"	13½"	3	12	50 lbs.
9353-3-03	44"	36"	13½"	3	12	53 lbs.
9354-3-03	44"	42"	13½"	3	12	57 lbs.
9355-3-03	44"	52"	13½"	3	12	66 lbs.
9356-3-03	44"	60"	13½"	3	12	73 lbs.
9363-3-03	60"	36"	16"	4	16	92 lbs.
9364-3-03	60"	42"	16"	4	16	94 lbs.
9365-3-03	60"	52"	16"	4	16	110 lbs.
9366-3-03	60"	60"	16"	4	16	136 lbs.
9373-3-03	60"	36"	13½"	4	16	76 lbs.
9374-3-03	60"	42"	13½"	4	16	94 lbs.
9375-3-03	60"	52"	13½"	4	16	110 lbs.
9376-3-03	60"	60"	13½"	4	16	136 lbs.

24" Deep Jumbo Shelving Items

Extra deep 24" shelving constructed of 18-gauge steel and finished with durable brite white powder coat. These shelves are easy to assemble and provide the perfect foundation for a customized van or trailer.



MODEL	HEIGHT	WIDTH	DEPTH	SHELVES
8393-3-01	59½"	42¼"	24"	3
8394-3-01	59½"	51¼"	24"	3
8395-3-01	59½"	69¼"	24"	3
8118-3-01	Short Bin Dividers for 24"D shelves			

MOUNTING KITS AND SHELF COMPONENTS



- Unique 4-way stop combines mounting straps with steel brackets to resist front to back and side to side movement when driving
- Secure installation – extruded aluminum upper mounting rail and steel brackets spread shelf load across van wall
- Easily position and install shelves with patent-pending twist-in plate mounting system
- Open Floor Mounting – no floor rail to interfere with storing wide or bulky items under the bottom shelf
- Compatible with OEM wall liners



- Faster, easier, more secure and safer installation
- Kit mounts shelf units directly to reinforced weld nuts or factory holes in the van, without drilling any new holes
- Heavy duty steel mounting plates distribute shelf load inside van
- No-drill installation method for installation time savings

SHELVING

Full-Size Van Shelf Mounting Kits

Mounting kits include upper rails, mounting plates, and hardware for two shelf units on driver side (three shelf units for extended vans) and one shelf on passenger side..

MODEL	MODEL	DESCRIPTION	WEIGHT
975101-3-01	Ford Transit	130" WB low-roof	30 lbs.
975102-3-01	Ford Transit	148" WB low-roof	32 lbs.
975103-3-01	Ford Transit	130" WB mid-roof	19 lbs.
975104-3-01	Ford Transit	148" WB mid/high-roof	19 lbs.
975105-3-01	Ford Transit	148" XWB high-roof	23 lbs.
975201-3-01	RAM ProMaster	118" WB low-roof	18 lbs.
975202-3-01	RAM ProMaster	136" WB low/high-roof	17 lbs.
975203-3-01	RAM Promaster	159" WB high-roof	19 lbs.
975204-3-01	RAM Promaster	159" XWB high-roof	27 lbs.
975301-3-01	Mercedes Sprinter	144" WB low/high-roof	19 lbs.
975302-3-01	Mercedes Sprinter	170" WB high-roof	25 lbs.
975401-3-01	Express/Savana	135" WB low-roof	18 lbs.
975402-3-01	Express/Savana	155" WB low-roof	20 lbs.
975501-3-01	Nissan NV	146" WB low-roof	30 lbs.
975502-3-01	Nissan NV	146" WB high-roof	25 lbs.

End Panel Sets *Create your own shelf unit with End Panels and Extra Shelves*

MODEL	HEIGHT	WIDTH	DEPTH	WEIGHT
9243-3-01	34"	2"	13½"	22 lbs.
9244-3-01	44"	2"	13½"	18 lbs.
9246-3-01	60"	2"	13½"	33 lbs.
9274-3-01	44"	2"	16"	30 lbs.
9276-3-01	60"	2"	16"	34 lbs.

Divider Sets *Keep things on the shelf in place*

MODEL	HEIGHT	WIDTH	DIVIDERS	WEIGHT
9820	2"	10"	4	2 lbs.
9825	2"	13½"	4	2 lbs.
9826	2"	16"	4	2 lbs.

Quick Adjust Handle Kit *Includes handles and pins for fast, toolless adjustability*

MODEL	WEIGHT
70202	0.2 lbs.

Compact Van Shelf Mounting Kits

Driver side and passenger side Mounting Kits include mounting plates and hardware to install a 36" and a 28" wide shelf unit along the inside wall of the van Rear Mounting Kits include mounting plates and hardware to install two 36" wide shelf units over the wheel wells in the rear of the van.

MODEL	MODEL	WEIGHT
NEW! 975106-3-01	Ford Transit Connect - Driver Side	15 lbs.
NEW! 975107-3-01	Ford Transit Connect - Passenger Side	15 lbs.
9751-3-01	Ford Transit Connect - Rear	11 lbs.
NEW! 975205-3-01	RAM ProMaster City - Driver Side	15 lbs.
NEW! 975206-3-01	RAM ProMaster City - Passenger Side	15 lbs.
9752-3-01	RAM ProMaster City - Rear	19 lbs.
9753-3-01	Mercedes Metris - Driver and Passenger Side	13 lbs.
NEW! 975403-3-01	Nissan NV200/City Express - Driver Side	15 lbs.
NEW! 975404-3-01	Nissan NV200/City Express - Passenger Side	15 lbs.
9754-3-01	Nissan NV200/City Express - Rear	13 lbs.

Extra Shelves *Includes one set of dividers*

MODEL	HEIGHT	WIDTH	DEPTH	WEIGHT
9122-3-01	2"	28"	10½"	14 lbs.
NEW! 9123-3-01	2"	36"	10½"	14 lbs.
9124-3-01	2"	42"	10½"	18 lbs.
9125-3-01	2"	52"	10½"	22 lbs.
9126-3-01	2"	60"	10½"	26 lbs.
9142-3-01	2"	28"	13½"	14 lbs.
NEW! 9143-3-01	2"	36"	13½"	14 lbs.
9144-3-01	2"	42"	13½"	18 lbs.
9145-3-01	2"	52"	13½"	22 lbs.
9146-3-01	2"	60"	13½"	26 lbs.
9163-3-01	2"	36"	16"	14 lbs.
9164-3-01	2"	42"	16"	18 lbs.
9165-3-01	2"	52"	16"	22 lbs.
9166-3-01	2"	60"	16"	26 lbs.
8080-3-01	3"	42"	24"	x lbs.
8081-3-01	3"	51¼"	24"	x lbs.
8082-3-01	3"	69¼"	24"	x lbs.

Shelf Center Support *Increase shelf load capacity with a set of center supports. One support included with each 60" wide shelf set.*

MODEL	HEIGHT	WIDTH	DEPTH	WEIGHT
9730-3-01	34"	1.2"	1.2"	7 lbs.
9740-3-01	44"	1.2"	1.2"	9 lbs.
9760-3-01	60"	1.2"	1.2"	12 lbs.

NEW ITEMS AVAILABLE JUNE 2018



SECURE STORAGE

Add extra security and theft-resistance for valuable tools and equipment with WEATHER GUARD® Secure Storage shelf units. Multiple door and drawer modules easily assemble into REDZONE Shelving. Our welded steel construction and heavy-duty locking mechanism ensures peace of mind on the job or in the parking lot.

- ! HIGH SECURITY**
welded steel box and shelf construction
- ! UNMATCHED ORGANIZATION & EFFICIENCY**
with no wasted space below or between drawers
- ! UNMATCHED DURABILITY**
box construction strengthens and rigidizes shelf unit
- ! EXTRA LARGE STEEL DRAWERS**
17"x14"x4" or 6" with ball bearing slides rated at 75 pounds per drawer
- ! FAST AND EASY ASSEMBLY**
modules bolt to end panels. Add top shelf to complete unit.
- ! FULLY FUNCTIONAL 16" SECURE MODULE TOP**
designed like a 16" shelf for additional storage



WEATHER GUARD® EXCLUSIVE!



Secure Storage Shelf Units (42" Wide)

	MODEL		HEIGHT	DIVIDERS	WEIGHT
1	Full Size Vans				
	9381-3-03	Secure Storage Shelf Unit (Includes end panels and top shelf)	44"	8	104 lbs.
2	High Roof Vans				
	9391-3-03	Secure Storage Shelf Unit (Includes end panels, top and center shelf)	60"	12	108 lbs.
3	Storage Module Only (for 42" wide shelf units) ORDER SEPARATELY				
	9040-3-01	Door Storage Module			47 lbs.
4	9045-3-02	5 Drawer Storage Module			78 lbs.

Secure Storage Service Parts

MODEL	DESCRIPTION	WEIGHT
70206-xx	Replacement Lock Kit	117 lbs.
70210-xx	Key Kit	1 lb.
70211-xx	Replacement D Handle Kit	1 lb.

xx- Designates key code. Specify key code 11-20 when ordering.

SELECT THE SHELF UNIT TO FIT YOUR VAN

- 1 FULL-SIZE**
- 2 MID/HIGH ROOF**



SELECT THE STORAGE MODULE TO FIT YOUR NEEDS

- 3 DOOR MODULE**
9040-3-01

- 4 5 DRAWER MODULE**
9045-3-02



EZ-CUBE WELDED SHELVING

Heavy-duty van storage, made easy. Our fully arc-welded WEATHER GUARD® EZ-Cube Shelving is pre-assembled and ready to install. Pre-punched shelves allow for quick installation of cabinets, bin dividers, or accessory doors. Heavy-gauge steel construction with our signature bright white powder coat ensure years of durability, and a professional appearance.

TAPERED END PANEL DESIGN

allows a close fit to the van wall and additional cargo space in the middle of the van

FULLY ARC WELDED

for durable construction and no assembly

HEMMED SHELVES

provide extra strength and a lip in front of the shelf for load retention

BOTTOM SHELF IS PRE-PUNCHED

for EZ installation of accessory cabinets on page 30



MIDDLE TWO SHELVES ARE PRE-PUNCHED

for EZ Bin Dividers

BOTTOM RETAINER LIP

is made of durable, heavy gauge steel

EZ SHELF DOORS

turns bottom shelf into a cabinet



EZ Bin Dividers mount to two middle shelves

SHELVING

EZ-Cube for Full-Size Vans

MODEL	SHELVES	HEIGHT	WIDTH	TOP DEPTH	BOTTOM DEPTH	WEIGHT
9400-3-01	4	43¾"	42"	11¼"	13¾"	76 lbs.
9452-3-01	4	43¾"	51"	11¼"	13¾"	90 lbs.

Accessories for EZ-Cube Shelving

MODEL	DESCRIPTION	WEIGHT
8401-3-01	EZ Bin Dividers (8)	18 lbs.
8841	EZ Shelf Mat (trim to fit)	1 lb.
8502-3-01	EZ Shelf Door (42" wide X 10" high)	17 lbs.
8503-3-01	EZ Shelf Door (51" wide X 10" high)	20 lbs.



Wheel Well Base Cabinet

Designed to fit over the wheel well and provide a flat, sturdy foundation for Shelf Units, Parts Cabinets, or Drawer Units.

MODEL	HEIGHT	WIDTH	DEPTH	WEIGHT
9444-3-01	13¾"	42¾"	15"	49 lbs.

SHELVING ACCESSORIES

NEW ITEMS AVAILABLE JUNE 2018

A Shelf Doors with High Security D Handle Lock

MODEL	HEIGHT	SHELF WIDTH	WEIGHT
NEW! 9502-3-01	11"	28"	10 lbs.
9503-3-01	11"	36"	13 lbs.
9504-3-01	11"	42"	17 lbs.
9505-3-01	11"	52"	21 lbs.
9506-3-01	11"	60"	25 lbs.

Light Weight Shelf Back Panels (not shown)
use with shelf doors to turn a shelf into a cabinet

MODEL	HEIGHT	SHELF WIDTH	WEIGHT
NEW! 9602-3-02	7¾"	28"	2 lbs.
9603-3-02	7¾"	36"	2 lbs.
9604-3-02	7¾"	42"	3 lbs.
9605-3-02	7¾"	52"	4 lbs.
9606-3-02	7¾"	60"	5 lbs.
NEW! 9602-3-01	14½"	28"	4 lbs.
9603-3-01	14½"	36"	4 lbs.
9604-3-01	14½"	42"	6 lbs.
9605-3-01	14½"	52"	8 lbs.
9606-3-01	14½"	60"	10 lbs.

B Retainer Lips keeps items in place under shelf units

MODEL	HEIGHT	SHELF WIDTH	DEPTH	WEIGHT
NEW! 9702-3-02	1½"	28"	1½"	1 lb.
9703-3-02	1½"	36"	1½"	1 lb.
9704-3-02	1½"	42"	1½"	1 lb.
9705-3-02	1½"	52"	1½"	2 lbs.
9706-3-02	1½"	60"	1½"	2 lbs.

Required to use Nissan NV Floor Mounting Points

C Divider Sets keep things on the shelf in place

MODEL	HEIGHT	SHELF DEPTH	DIVIDERS	WEIGHT
9820	2"	10"	4	2 lbs.
9823	2"	13"	4	2 lbs.
9825	2"	13½"	4	2 lbs.
9826	2"	16"	4	2 lbs.



D Quick Adjust Handle Kit

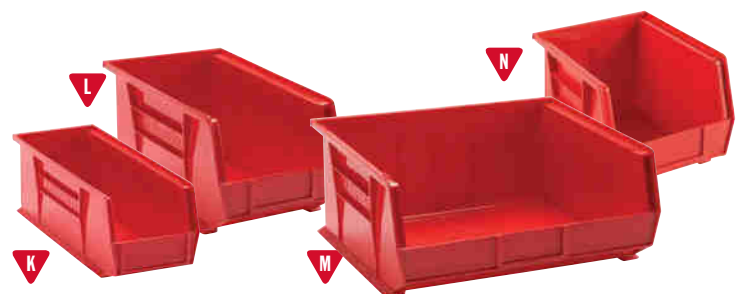
Includes handles and pins for fast, toolless adjustability

MODEL	WEIGHT
70202	0.2 lbs.



Accessories End panel and shelf

MODEL	DESCRIPTION	WEIGHT
E 8866	Fire Extinguisher	6 lbs.
F 8841	Hard Hat Bracket	2 lbs.
G 9832	Shelf Mat (13" deep shelves)	1 lb.
H 9832	Shelf Mat (13" & 10½" deep shelves)	1 lb.
I 9836	Shelf Mat (16" deep shelves)	1 lb.
J 9880-3-01	Literature Holder	11 lbs.



Bin Sets sturdy plastic bins sized to fit new van shelving

MODEL	HEIGHT	WIDTH	DEPTH	BINS	WEIGHT
K 9854-7-01	5"	5½"	14¾"	9	1 lb.
L 9855-7-01	7"	8¼"	14¾"	6	1 lb.
M 9856-7-01	7"	16½"	14¾"	3	1 lb.
9858-7-01	5"	5½"	10⅞"	9	8 lbs.
N 9859-7-01	7"	8¼"	10⅞"	6	8 lbs.

REDZONE ACCESSORIES

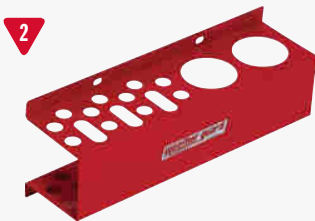
Looking for parts and supplies won't slow you down with new and re-engineered REDZONE van storage accessories. Organizers and holders keep frequently used items in easy reach for maximum productivity. Tool cabinets, parts bin boxes, and locking storage keep small components organized.

CUSTOMIZED ORGANIZATION
for supplies and tools

HEAVY DUTY 18 GAUGE STEEL CONSTRUCTION
makes for tough, long lasting accessories

POWDER COAT FINISH
provides durability

EASY TO INSTALL
to shelf end panels, bulkheads, and door



HOOKS AND BRACKETS



ACCESSORIES



REDZONE Accessories

	MODEL	DESCRIPTION	HEIGHT	WIDTH	DEPTH	WEIGHT
1	9874-7-01	Can Organizer	9.8"	12"	4"	3 lbs.
2	9879-7-01	Tool Organizer	5½"	15"	4"	3 lbs.
3	9881-7-01	Caulk Tube Tray	7½"	13½"	7½"	4¼ lbs.
4	9882-7-01	Wire Spool Holder End Mount	26"	14"	6"	12 lbs.
5	9883-7-01	Large Parts Bin	11"	13"	7"	10 lbs.
6	9884-7-01	Medium Parts Bin	6½"	13"	7"	8 lbs.
7	9885-7-01	5 Gallon Bucket Holder	6¼"	11¼"	11¼"	8 lbs.
8	9886-7-01	30# Refrigerant Tank Holder	10¾"	9¾"	9¾"	9 lbs.
9	9887-7-01	Ladder Holder	4"	1½"	3½"	¼ lb.
10	9891-7-01	Large Hook (5" diameter)	8"	1¼"	5"	½ lb.
11	9892-7-01	2 Hook Holder (5" diameter)	8"	9"	5"	½ lb.
12	9893-7-01	3 Hook Cord or Tool Holder	5¼"	9"	4½"	½ lb.

CABINETS

High quality, durable Drawer Cabinets feature latches for each drawer, smooth ball-bearing rollers, and secure locks that can be keyed alike. Bin Cabinets feature hook and loop fasteners to securely hold bins in place.



Mechanics Grade Tool Cabinets

High quality and durable mechanics grade tool cabinets for your van feature easy-to-grip handles and smooth ball-bearing rollers.

MODEL	DRAWERS	HEIGHT	WIDTH	DEPTH	WEIGHT	
1	9912-3-02*	2	12"	16"	13.7"	26 lbs.
2	9914-3-02*	4	12"	16"	13.7"	32 lbs.
3	9924-3-02*	4	24"	16"	13.7"	48 lbs.
4	9928-3-02	8	24"	16"	13.7"	60 lbs.
5	9984-3-01	4	24"	18"	13.7"	53 lbs.
6	9988-3-01	8	24"	18"	13.7"	60 lbs.

* Order Mounting Kit 9994 for secure assembly to shelf

Divider Kits

MODEL	DESCRIPTION	WEIGHT
9822-3-01	Divider Kit for Shallow Drawers	2 lbs.
9824-3-01	Divider Kit for Deep Drawers	2 lbs.



NEW IMPROVED!

The new van shelf design includes cabinet mounting holes that make it easier to assemble and install. There are two fast ways to mount cabinets and parts boxes to van shelves.

- When you have side by side cabinets, invert the shelf when assembling the shelf unit and mount cabinets directly to shelf.
- If you need storage space to the side of the cabinet, use Cabinet Mounting Spacer Kit Model 9994 to mount the cabinet to the shelf. The dividers included with each shelf keep small parts from getting under the cabinet.



Keep shelf facing up with the Cabinet Mounting Spacer Kit Model 9994.

Cabinet Accessory Mounting

MODEL	DESCRIPTION	WEIGHT
9994	Cabinet Mounting Spacer Kit (13½" and 16" deep shelves)	1 lb.
9996-3-01	Mounting Bracket Kit (16" shelves)	1 lb.



Invert shelf when assembling it and mount cabinet directly to shelf.

PARTS BOXES AND BINS



VELCRO KEEPS BINS IN PLACE

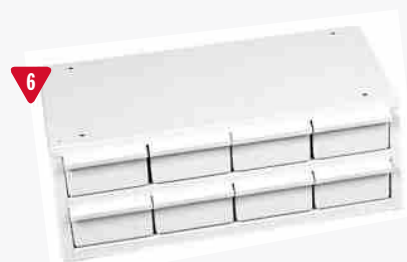


Parts Boxes & Bin Cabinets

	MODEL	BINS	HEIGHT	WIDTH	DEPTH	WEIGHT
1	9906-3-02*	6	4½"	32½"	11¾"	18 lbs.
2	9909-3-02*	9	12"	17"	11¾"	28 lbs.
3	9918-3-02*	18	12"	32½"	11¾"	54 lbs.
4	9950-7-02**	N/A	12.6"	20.3"	14.4"	4 lbs.
5	9951-9-01	N/A	3"	18½"	13"	3 lbs.
Special Order Cabinets (Call for availability. Longer lead time required)						
6	8908-3*	8	8½"	22"	11¾"	24 lbs.

* Not included, 9951-9-01 sold separately

* Order Mounting Kit 9994 for secure assembly to shelf



Additional plastic bins are available. Order part 70214

ACCESSORIES

GRAB & GO TOOL CART

Our new, modular 3-piece rolling tool chest puts those tools and parts used on every job at your fingertips. Heavy-duty construction keeps your productivity rolling for years to come.

- Modular, 3-piece rolling tool chest
- Removable tool box with steel tray
- Sliding drawer unit
- Tilt-out storage bin
- Telescoping handle



LIMITED QUANTITIES!

Grab & Go Tool Cart

	MODEL	HEIGHT	WIDTH	DEPTH	BOXES	WEIGHT
	9953-7-01	28½"	20"	12"	3	24 lbs.

ACCESSORIES



Steel Work Top

MODEL	DESCRIPTION	HEIGHT	WIDTH	DEPTH	WEIGHT
1 8867-3-01	Steel Work Top	1½"	42"	18"	6 lbs.
2 9912-3-02	2 Drawer Cabinet	12"	16"	13.7"	26 lbs.
3 9914-3-02	2 Drawer Cabinet	12"	16"	13.7"	32 lbs.
4 9444-3-01	Wheel Well Cabinet	13¾"	42¾"	15"	9 lbs.



Strong Box

High-security box for the inside of a van that features 1/4" plate steel around the lid opening and the WATCHMAN® IV Lock System.

MODEL	HEIGHT	WIDTH	DEPTH	WEIGHT
9036-3	16"	36¾"	19¾"	93 lbs.

STORAGE CABINETS



Great for securing electronics or expensive equipment. Our new locking storage cabinets feature secure locking D-Handles and tool-less reversible doors.

Stackable Locking Storage Cabinets

MODEL	SHELVES	HEIGHT	WIDTH	DEPTH	WEIGHT
1 9020-3-01	N/A	22"	18"	16"	25 lbs.
2 9021-3-01	2*	22"	18"	16"	35 lbs.

*Removable Shelves

TANK HOLDERS & FLOOR MOUNTED



You're a professional, a specialist. You need specific equipment to keep at the top of your game. WEATHER GUARD® Van Solutions has what you need. Tank and cable racks, and catalog table units.

Floor Mounted Accessories

MODEL	DESCRIPTION	HEIGHT	WIDTH	DEPTH	WEIGHT
1	9861-3-01 Cable Spool Holder	42½"	19¾"	16¼"	37 lbs.
2	9862-3-01 Tank Holder 3 - 50 lb.	45½"	15½"	8"	31 lbs.
3	9863-3-01 Tank Holder 2 - 30 lb., 1 - 50 lb.	40"	15½"	8"	27 lbs.
4	9864-3-01 Tank Holder 4 - 30 lb.	48½"	13"	8"	31 lbs.
5	9860-3-01 Catalog File Unit	36"	6"	12"	16 lbs.

DOOR STORAGE



These door organizers keep tools and supplies close by. No digging around inside the van for those items used on every job. Durable steel trays and lids keep everything in place while driving. Adjustable dividers let you customize. You not only build or repair, but educate and inform customers. Catalog and literature holders keep information at hand, for your customers or crews.

Door Trays and Literature Holders

MODEL	HEIGHT	WIDTH	DEPTH	WEIGHT	
1	9871-3-01	21¾"	20¼"	4⅝"	19 lbs.
2	9872-3-01	21¾"	20¼"	4⅝"	18 lbs.
* 3	9873-3-01	21¾"	20¼"	4⅝"	19 lbs.
4	9880-3-01	16"	13"	5"	11 lbs.

* LIMITED QUANTITIES!

CAB COMMAND CENTER

Rethought and repurposed. Not a file box, but a between-seat Cab Command Center! Plenty of room for your laptop and hanging files. Handy clip board on lid and extra storage for personal items. Power Pass® electrical pass-thru grommet lets you keep everything charged while you're on the road. Our D-Handle lock keeps everything safe when you're on the job. Easy to release interior latch lets you take it when you need it. Use Model 9010-3-01 for Ford Transit, Ram ProMaster® vans and Model 9012-3-01 for Sprinter, GM and Ford E-Series vans.

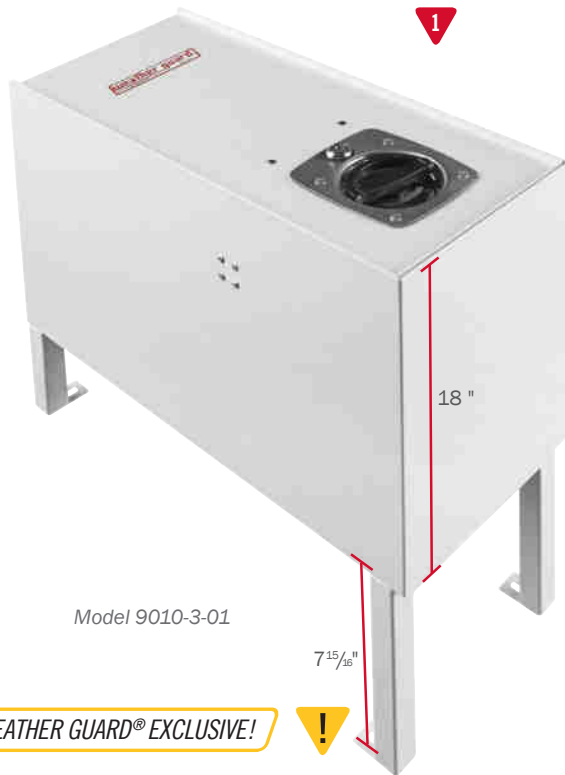
! HIDDEN LATCH TO BASE
means only you can remove it from your vehicle

! POWER PASS® ELECTRICAL PASS-THRU GROMMET
allows you to charge items within the box

RAISED MOUNTING BASE FOR 6" FLOOR CLEARANCE
with tamper-resistant Torx® head mounting bolts

SIMPLIFIED INSTALLATION
gets you back on the job quickly

SECURE D HANDLE LOCKS
single point latching for theft-resistance



Model 9010-3-01



Model 9012-3-01

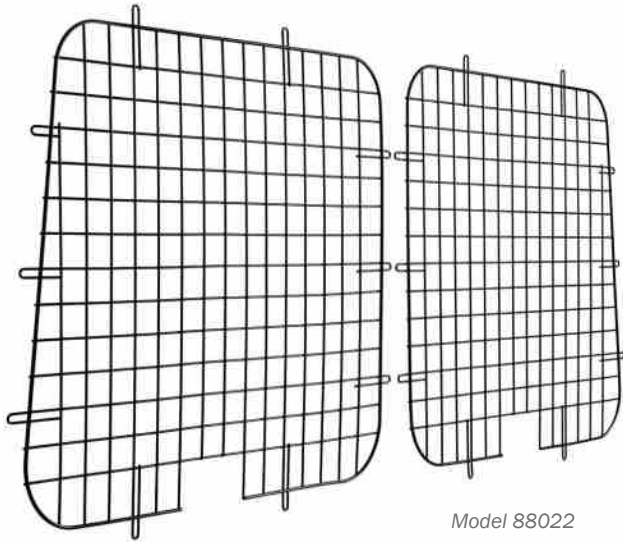
1 Cab Command Center for Ford Transit and RAM ProMaster®

MODEL	HEIGHT	WIDTH	DEPTH	WEIGHT
9010-3-01	18"	7½"	20"	30 lbs.

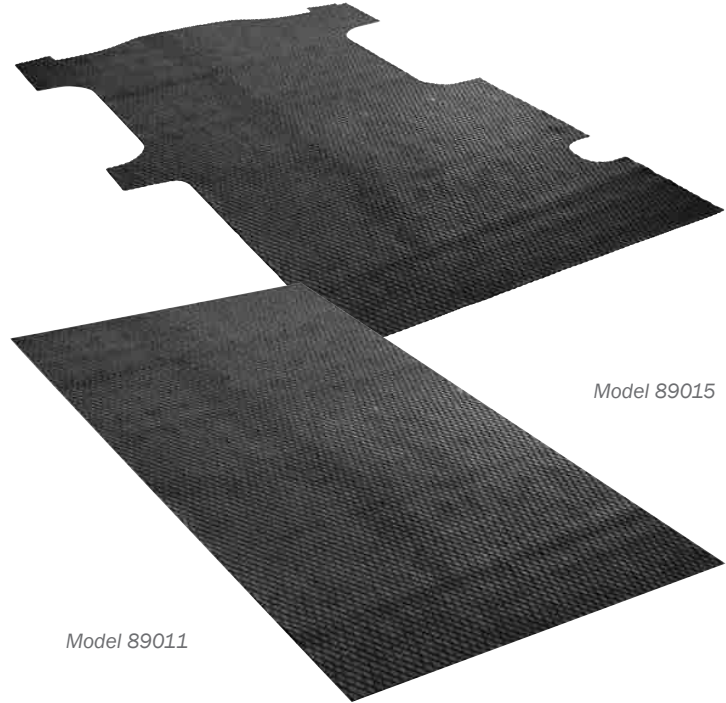
2 Cab Command Center for Sprinter, Express, Savana and E-Series

MODEL	HEIGHT	WIDTH	DEPTH	WEIGHT
9012-3-01	12"	13"	20"	30 lbs.





Model 88022



Model 89015

Model 89011

Window Screens

Welded steel mesh screens add security for vans with windows. Black powder coat finish is durable, reduces glare, and maximizes visibility through screen.

MODEL	VAN TYPE	QUANT.	DESCRIPTION	WEIGHT
88021	'92 & Newer Ford E-Series	2	Side Door - Hinged	8 lbs.
88022	'92 & Newer Ford E-Series	2	Rear Door - Hinged	8 lbs.
88023	'92 & Newer Ford E-Series	1	Side Door - Sliding	8 lbs.
88026	'96 & Newer Full-Size GM	2	Side Door - Sliding	8 lbs.
88027	'96 & Newer Full-Size GM	2	Side Door - Hinged	7 lbs.
88028	'96 & Newer Full-Size GM	2	Rear Door - Hinged	8 lbs.
88040	'07 & Newer Sprinter	1	Side Door	7 lbs.
88041	'07 & Newer Sprinter	2	Rear Door	9 lbs.
88050	Ram ProMaster®	2	Rear Door	9 lbs.
88051	Ram ProMaster®	1	Side Door	7 lbs.
88052	Ram ProMaster®	1	Side, Fixed	7 lbs.
88054	'14 & Newer Transit Connect		Rear Door	11 lbs.
88055	'14 & Newer Transit Connect 120" WB		Side Door	8 lbs.
88056	'14 & Newer Transit Connect 105" WB		Side Door	8 lbs.
88060	Ford Transit Low-Roof	2	Rear Door	8 lbs.
88061	Ford Transit Low-Roof	1	Side Door - Sliding	8 lbs.
88062	Ford Transit Mid/High-Roof	2	Rear Door	9 lbs.
88063	Ford Transit Mid/High-Roof	1	Side Door	9 lbs.
88064	Ford Transit Low-Roof	2	Side Door - Hinged	8 lbs.

Van Floor Mats

Designed to cover seating wells in the van floor. Required when installing bulkhead units and other equipment.

MODEL	VAN TYPE	WHEELBASE	WEIGHT
89011	70" x 124" rectangular (must be cut to fit any style vans)		55 lbs.
89015	'96 & Newer GM	135"	55 lbs.
89017	'92 & Newer Ford E-Series	Standard	60 lbs.
89020	'14 & Newer Ram ProMaster®	118"	32 lbs.
89021	'14 & Newer Ram ProMaster®	136"	39 lbs.
89022	'14 & Newer Ram ProMaster®	158"	46 lbs.
89023	'14 & Newer Ram ProMaster®	158" Extended	49 lbs.
89024	'15 & Newer Ford Transit	130"	45 lbs.
89025	'15 & Newer Ford Transit	148"	50 lbs.
89026	'15 & Newer Ford Transit	148" Extended	55 lbs.
89027	'16 & Newer Ram ProMaster City		30 lbs.

PACK RAT® DRAWER UNITS

Have your equipment waiting for you as soon as you open the door. These heavy-duty pull-out drawer units can be mounted inside the side or rear door openings. They offer easy access to hundreds of pounds of tools and supplies, while leaving floor space open for hauling materials or moving in and out of the vehicle.

ANTI-SKID STRIPS

Provide traction for wet and muddy boots



PACK RAT® DRAWER UNIT FOR POWER TOOLS

! POWER PASS® ELECTRICAL PASS-THRU

Grommet for easy for tool charging

! ONE TOUCH LATCH

Red pushbutton allows for one hand operation

Model 310-3-01

HEAVY GAUGE ALUMINUM

Strong, but light, with a 225 pound load rating

SMOOTH ROLLING DRAWER

For easy access and organization

EASY MAINTENANCE

Removable drawers to clean, lubricate, and service

WEATHER GUARD® EXCLUSIVE!



14-GAUGE STEEL

on top and sides allows for a 750 lb. load rating when evenly distributed on top of unit

12-GAUGE STEEL SKIDS

and full width ribs underneath and inside the unit add extra strength

SMOOTH ROLLING DRAWER

provides trouble free operation and handles up to 425 lbs. of equipment

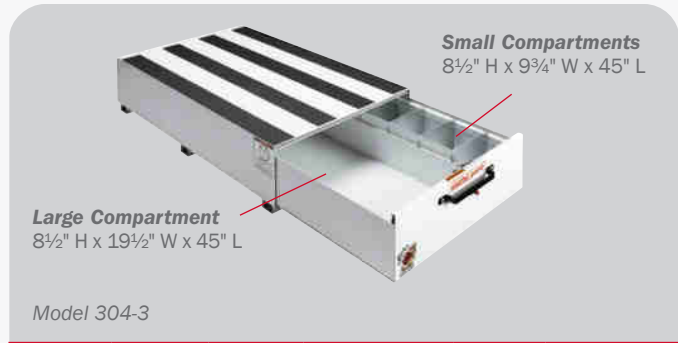




Model 310-3-01

Tool Drawer

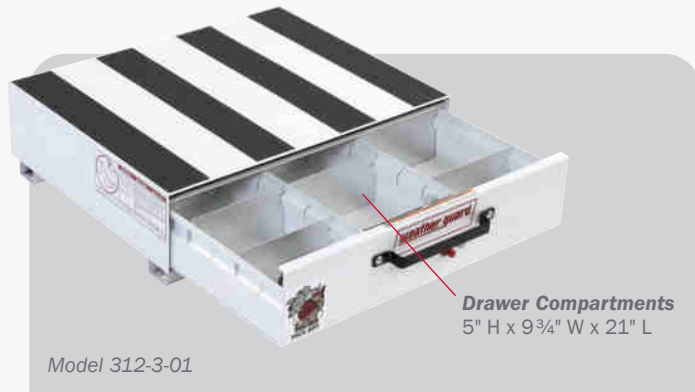
MODEL	HEIGHT	WIDTH	DEPTH	COMPARTMENTS	WEIGHT
310-3-01	17 3/4"	12 1/4"	42"	1	56 lbs.



Model 304-3

Extra Wide Compartment 48" Long Drawer Unit

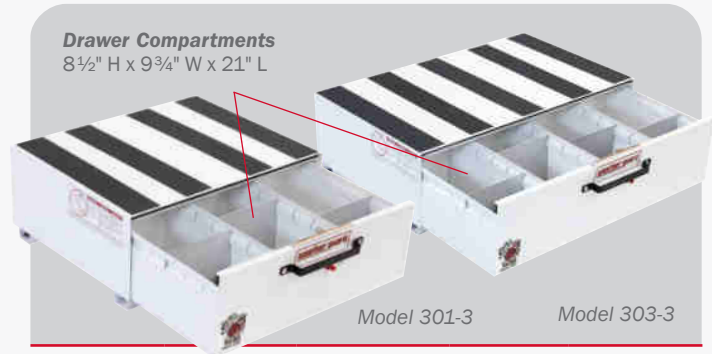
MODEL	HEIGHT	WIDTH	COMPARTMENTS	DIVIDERS	WEIGHT
304-3	9 1/2"	30"	2	6	220 lbs.
334-3	13"	30"	2	6	245 lbs.



Model 312-3-01

9 1/2" High x 24" Long Drawer Unit

MODEL	WIDTH	COMPARTMENTS	DIVIDERS	WEIGHT
312-3	30"	3	12	151 lbs.

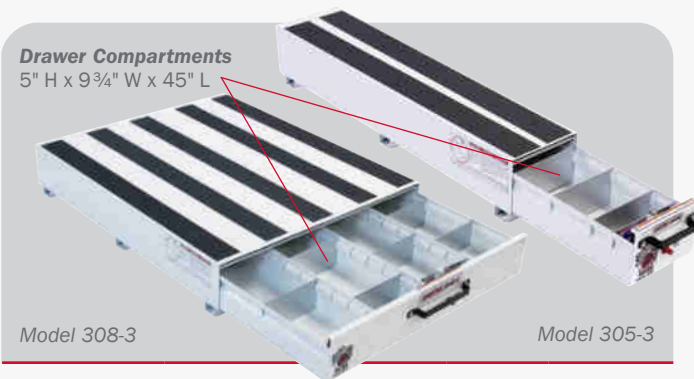


Model 301-3

Model 303-3

13" High x 24" Long Drawer Units

MODEL	WIDTH	COMPARTMENTS	DIVIDERS	WEIGHT
301-3	30"	3	12	169 lbs.
303-3	39 3/4"	4	12	217 lbs.

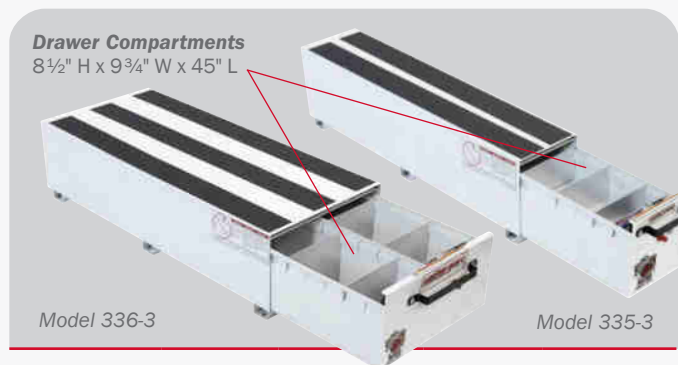


Model 308-3

Model 305-3

9 1/2" High x 48" Long Drawer Units

MODEL	WIDTH	COMPARTMENTS	DIVIDERS	WEIGHT
305-3	10 1/4"	1	6	106 lbs.
306-3	20"	2	12	179 lbs.
307-3	30"	3	18	247 lbs.
308-3 (white)	39 3/4"	4	24	322 lbs.
308-5 (black)	39 3/4"	4	24	322 lbs.



Model 336-3

Model 335-3

13" High x 48" Long Drawer Units

MODEL	WIDTH	COMPARTMENTS	DIVIDERS	WEIGHT
335-3	10 1/4"	1	6	130 lbs.
336-3	20"	2	12	210 lbs.
337-3	30"	3	18	294 lbs.
338-3 (white)	39 3/4"	4	24	383 lbs.
338-5 (black)	39 3/4"	4	24	383 lbs.

SPECIALTY STORAGE

ITEMIZER® DRAWER UNITS

This exclusive, lightweight aluminum storage solution conveniently increases your storage space by placing small equipment at your fingertips without the need to crawl inside the van. Drawer dividers provide an extensive array of organizing options.

LIGHTWEIGHT ALUMINUM DRAWERS

carry up to 75 lbs. of equipment each

UNITS CAN BE STACKED

as needed for additional storage

ROLLER MOUNTED DRAWERS

glide open to full extension

ADJUSTABLE DRAWER DIVIDERS

offer greater flexibility



Model 318-3

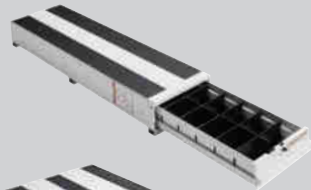
ANTI-SKID STRIPS

provides traction for wet and muddy boots

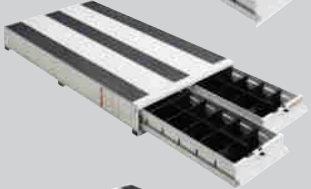
LOCK MOUNT

is provided for installation of optional camlock

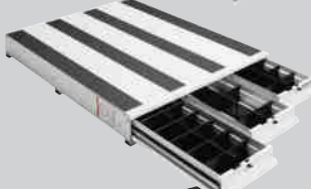
Model 314-3
1 Drawer



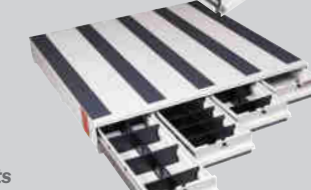
Model 316-3
2 Drawer Lateral



Model 317-3
3 Drawer Lateral

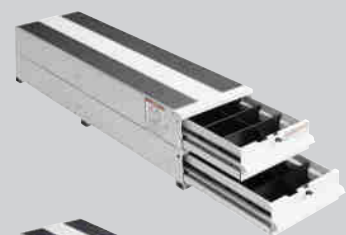


Model 318-3
4 Drawer Lateral



Drawer Compartments
4 1/4" H x 10 1/2" W x 46 1/2" L

Model 326-3
2 Drawer Stacked



Model 327-3
3 Drawer Stacked



Model 328-3
4 Drawer Stacked



Drawer Compartments
4 1/4" H x 10 1/2" W x 46 1/2" L

Lateral Drawer Units

MODEL	DRAWERS	HEIGHT	WIDTH	DEPTH	WEIGHT
314-3	1	6 3/4"	12 1/4"	49"	26 lbs.
316-3	2 Lateral	6 3/4"	24"	49"	55 lbs.
317-3	3 Lateral	6 3/4"	36"	49"	85 lbs.
318-3	4 Lateral	6 3/4"	48"	49"	110 lbs.

Stacked Drawer Units

MODEL	DRAWERS	HEIGHT	WIDTH	DEPTH	WEIGHT
326-3	2 Stacked	12 1/4"	12 1/4"	49"	48 lbs.
327-3	3 Stacked	17 3/4"	12 1/4"	49"	71 lbs.
328-3	4 Stacked	23 1/2"	12 1/4"	49"	92 lbs.

BED RAT® SLIDING PLATFORM

Extend your van's workspace and bring heavy loads to you, instead of bending in to get them, with this sliding platform. Sized to fit your work needs, BED RAT® Sliding Platforms are available for both side and rear door openings.

70% EXTENSION

for easy access of stored materials and tools

750 LB. TOTAL CAPACITY

when weight is evenly distributed on the platform

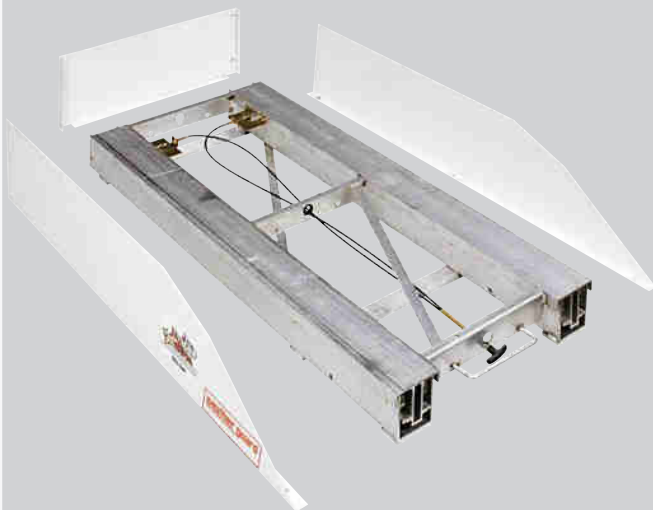
10½" HIGH SIDE PANELS

are made from steel and help keep materials on the deck



Decking material is not included, ¾" plywood is recommended

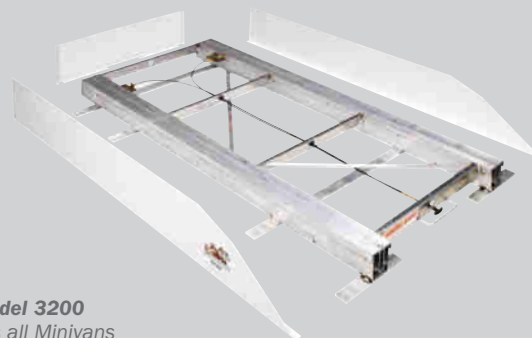
FOR FULL-SIZE VAN SIDE DOOR



Model 3100

Perfect for curb side loading and unloading from the side door of Full-size vans.

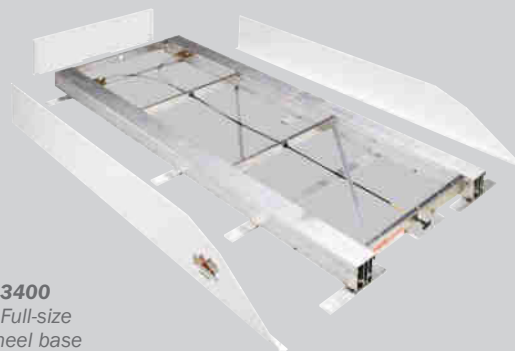
FOR FULL-SIZE VAN & MINIVAN REAR DOOR



Model 3200

Fits all Minivans and Full-size vans.

FOR LONG WHEEL BASE FULL-SIZE VAN REAR DOOR



Model 3400

Fits all Full-size long wheel base and extended vans

BED RAT® Sliding Platforms

MODEL	HEIGHT	WIDTH	DEPTH	WEIGHT
3100	4¾"	22"-44¾"	54"	97 lbs.
3200	4¾"	44¾"	68"	123 lbs.
3400	4¾"	44¾"	90"	155 lbs.

The BED RAT® can fit a 22" - 44 ¾" deck

SPECIALTY STORAGE

EZGlide2™ DROP-DOWN LADDER RACK

EASIEST TO OPERATE

50% less effort to operate than competitor drop-down ladder racks, reducing strain on the operator

LIGHTEST WEIGHT

Drop-down ladder rack available

- Maximize fuel economy
- Maximize carrying capacity

MOST VERSATILE

- Up to 40' extension ladders
- 5' - 10' stepladders
- Conduit carriers

STOW AND SECURE

Interlocking ladder supports ensure ladders stay in place when stowed

INCREASED PRODUCTIVITY

Get ladders off your van on the job faster and reduce worker fatigue and injuries



STEP 1

CHOOSE A MOUNTING KIT

(Mounting Kits are not needed for Chevy Express, GMC Savana or Ford E-Series. See Step 2)



Model 2102-0-01

Mounting Channel Kits

All Mounting Channel Kits attach to factory mounting points. No drilling required. All hardware included.

MODEL	DETAILS	WEIGHT
2102-0-01	Mounting Channel Kit Ford Transit 148" and XWB	15 lbs.
2130-0-01	Mounting Channel Kit Ford Transit 130" WB	12 lbs.
2113-0-01	Mounting Channel Kit Sprinter, Nissan NV Low Roof	15 lbs.
2115-0-01	Mounting Channel Kit Ram ProMaster®	15 lbs.
2085-0-01	Compact Kit Ford Transit Connect, Chevy City Express, RAM ProMaster City™, Mercedes Metris, Nissan NV200, Nissan NV High Roof	15 lbs.
2505	Service Body Kit Knapheide, Reading and similar service bodies	9 lbs.

STEP 2

SELECT A DROP-DOWN LADDER RACK *(Single-Side Only with Crossmembers)*



Drop-Down Ladder Rack

Drop-down can mount on driver or passenger side. Rack fits 16' to 40' Extension, 5' to 10' Step and 3' to 8' Podium, evenly distributed on ladder rack. Carry ladders appropriate to the size of the vehicle.

MODEL	PRODUCT	DETAILS	WEIGHT
2291-3-01	Extended Drop-Down Mid/High-Roof Vans	Includes Two 70" Cross Members which can be set at 96" or 77" center to center	77 lbs.
2271-3-01	Fixed Drop-Down Full Size Vans	Includes Two 70" Cross Members which can be set at 96" or 77" center to center	77 lbs.
2261-3-01	Fixed Drop-Down Compact Vans	Includes Two 60" Cross Members which can be set at 77" center to center	83 lbs.

OPTIONAL

ADD A DROP-DOWN LADDER RACK ACCESSORY



Drop-Down Ladder Rack Accessories

Long ladder kits fit 16' to 40' Extension, 5' to 10' Step and 3' to 8' Podium, evenly distributed on ladder rack. Short ladder kits include a center cross member to carry shorter ladders on opposite side of rack.

MODEL	PRODUCT	DETAILS	WEIGHT
2295-3-01	Extended Drop-Down Long Ladder Kit Mid/High-Roof Vans	For Cross Members set at 96" or 77" center to center. Installs to 2291-3-01 (Cross-members not included)	48 lbs.
2297-3-01	Extended Drop-Down Short Ladder Kit Mid/High-Roof Vans	Includes 70" Cross Member which can be set at 42" center to center. Installs to 2291-3-01	55 lbs.
2275-3-01	Fixed Drop-Down Long Ladder Kit - Full Size Vans	For Cross Members set at 96" or 77" center to center. Installs to 2271-3-01 (Cross-members not included)	51 lbs.
2277-3-01	Fixed Drop-Down Short Ladder Kit Full Size Vans	Includes 70" Cross Member which can be set at 42" center to center. Installs to 2271-3-01	57 lbs.
2265-3-01	Fixed Drop-Down Long Ladder Kit Compact Vans	For Cross Members set at 77" center to center. Installs to 2261-3-01 (Cross-members not included)	58 lbs.
2267-3-01	Fixed Drop-Down Short Ladder Kit Compact Vans	Includes 60" Cross Member which can be set at 42" center to center. Installs to 2261-3-01	61 lbs.

Always properly secure ladders to the ladder rack while driving. Transporting ladders longer than the vehicle is not recommended.

Accessories

MODEL	DETAILS	WEIGHT
2501	Warning Light Holder	3 lbs.
2502	Mirror Holder (not for use with 255 Driver's Side Drop-Down kit)	3 lbs.
2503	Velcro Straps	1 lb.
2504	Mirror	2 lbs.
2254D-3-01	Quick Clamp Add-On Kit (Driver Side)	13 lbs.
2254P-3-01	Quick Clamp Add-On Kit (Passenger Side)	13 lbs.
2060-3-01	Accessory Cross Member (Compact Vans 60" Wide)	6 lbs.
2070-3-01	Accessory Cross Member (Full Size Vans 70" Wide)	6 lbs.



QUICK CLAMP ALUMINUM RACKS

Introducing the new and improved Quick Clamp Aluminum Racks engineered to fit Full-Size Vans and Compact Vans. Not recommended for vans with roof heights above 84 inches.



LADDER HOOKS

Extended and angled outward for easier ladder loading in tight places

Model 234-3-03

WEATHER GUARD® VAN SOLUTIONS TRADEMARKED RED TIPS show the world that you work with the highest quality equipment available

LONG LASTING DESIGN utilizing a 70" extruded aluminum rail and stainless steel hardware. Designed for use with WEATHER GUARD® mounting channel kits or gutter clamps. Gas springs with internal brass bushings prevent strip-out

ANTI-WEAR PROTECTION on clamps helps protect ladders during transport

QUICK CLAMP RACK AND ACCESSORY CROSS MEMBER



Patented Quick Clamp Rack clamping mechanism can be locked with a padlock for security.



Works with model 234-3-03 and 236-3-03 Quick Clamp Racks to accommodate short ladders and provide additional support.

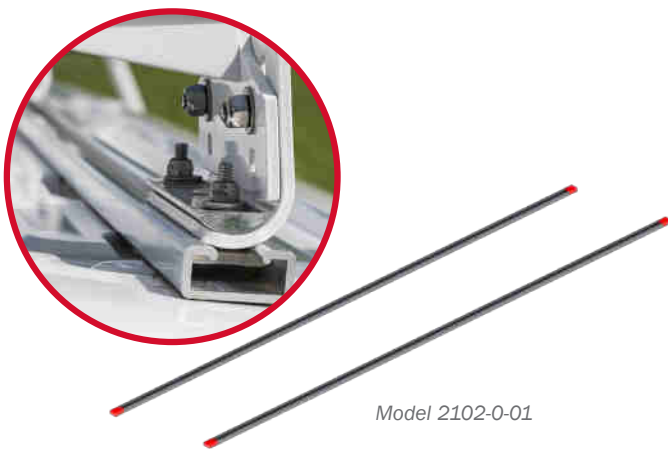
Quick Clamp Rack for Full Size Vans

MODEL	DETAILS	WEIGHT
234-3-03	Quick Clamp Rack - 70" Dual	58 lbs.
236-3-03	Quick Clamp Rack - 70" Single (curb side only)	48 lbs.
223-3-03	Quick Clamp Rack - 60" Single (curb side only)	44 lbs.
224-3-03	Quick Clamp Rack - 60" Dual	54 lbs.

Quick Clamp Rack - Full Size Accessory Cross Member

MODEL	DETAILS	WEIGHT
233-3-03	Quick Clamp Rack - 70" Accessory Cross Member	19 lbs.
225-3-03	Quick Clamp Rack - 60" Accessory Cross Member	16 lbs.

WEATHER GUARD® EXCLUSIVE!



Model 2102-0-01

Mounting Channel Kits

All Mounting Channel Kits attach to factory mounting points. No drilling required. All hardware included.

MODEL	DETAILS	WEIGHT
2102-0-01	Mounting Channel Kit Ford Transit 148" and XWB	15 lbs.
2130-0-01	Mounting Channel Kit Ford Transit 130" WB	12 lbs.
2113-0-01	Mounting Channel Kit Sprinter, Nissan NV Low Roof	15 lbs.
2115-0-01	Mounting Channel Kit Ram ProMaster®	15 lbs.
2085-0-01	Compact Kit Ford Transit Connect, Chevy City Express, RAM ProMaster City™, Mercedes Metris, Nissan NV200, Nissan NV High Roof	15 lbs.
2505	Service Body Kit Knapheide, Reading and similar service bodies	9 lbs.


ALUMINUM RACKS - FULL-SIZE VANS WITH SIDE GUTTERS

Our Quick Clamp Racks are engineered to make loading and unloading your ladder an easy one-person operation by leaning the front of the ladder against the front hook and swinging it up onto the rack. Close the gas spring assisted Quick Clamp and you're ready to roll. Designed for Chevrolet Express, GMC Savana and Ford E-Series Vans.



LADDER HOOKS

Extended and angled outward for easier ladder loading in tight places

WEATHER GUARD® VAN SOLUTIONS TRADEMARKED RED TIPS 
show the world that you work with the highest quality equipment available

LONG LASTING DESIGN
utilizing a 70" extruded aluminum rail and stainless steel hardware. Designed for use with WEATHER GUARD® mounting channel kits or gutter clamps. Gas springs with internal brass bushings prevent strip-out

ANTI-WEAR PROTECTION
on clamps helps protect ladders during transport



NEW! GUTTER CLAMP

Mounting leg attaches to the van with a stainless steel gutter clamp painted brite white.



QUICK CLAMP

Patented Quick Clamp Rack clamping mechanism can be locked with a padlock for security.



ADDITIONAL SUPPORT

Center mounting leg provides additional support and stability.



Works with model 234-3-01 Quick Clamp Racks to accommodate short ladders and provide additional support

Accessory Cross Member for Full Size Vans

MODEL	DETAILS	WEIGHT
233-3-01	Fits Models 234-3-01, 236-3-01	21 lbs.

Quick Clamp Rack for Full Size Vans

MODEL	DETAILS	WEIGHT
234-3-01	Dual Clamp Rack (street side/curb side)	76 lbs.

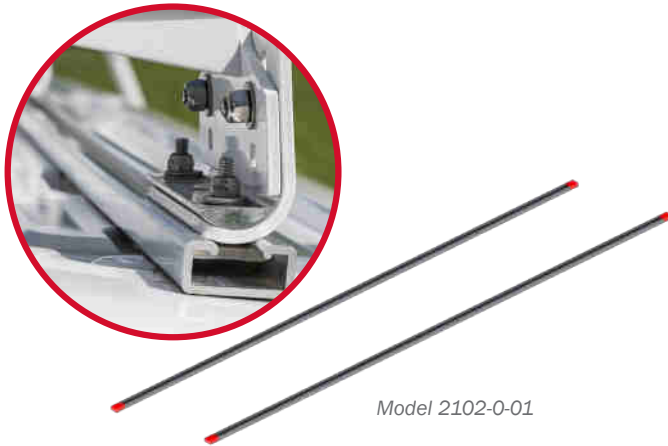
ROOF RACKS

ALL-PURPOSE RACKS

Versatile and rugged, our All-Purpose Racks create a space for all the long equipment you need to carry. Available in aluminum or steel, WEATHER GUARD® Roof Racks offer a number of different mounting and accessory options.

STEP 1 CHOOSE A MOUNTING KIT

(Mounting Kits are not needed for Chevy Express, GMC Savana or Ford E-Series. See Step 2)



Mounting Channel Kits

All Mounting Channel Kits attach to factory mounting points. No drilling required. All hardware included.

MODEL	DETAILS	WEIGHT
2102-0-01	Mounting Channel Kit Ford Transit 148" and XWB	15 lbs.
2130-0-01	Mounting Channel Kit Ford Transit 130" WB	12 lbs.
2113-0-01	Mounting Channel Kit Sprinter, Nissan NV Low Roof	15 lbs.
2115-0-01	Mounting Channel Kit Ram ProMaster®	15 lbs.
2085-0-01	Compact Kit Ford Transit Connect, Chevy City Express, RAM ProMaster City™, Mercedes Metris, Nissan NV200, Nissan NV High Roof	15 lbs.
2505	Service Body Kit Knapheide, Reading and similar service bodies	9 lbs.

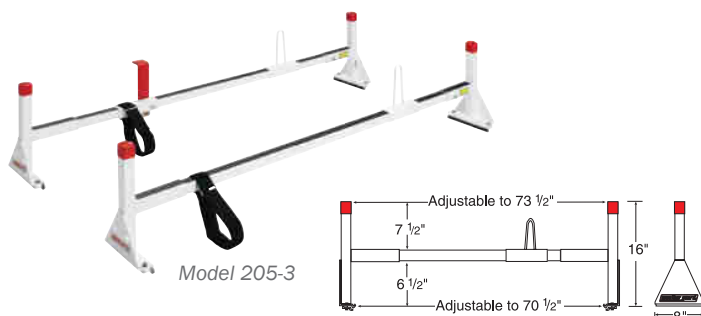
STEP 2 SELECT ALL PURPOSE RACK & ACCESSORY CROSS MEMBERS



Powder Coated Aluminum Rack for Full-Size Vans

MODEL	DETAILS	WEIGHT
209-3-03	70" All Purpose Rack	35 lbs.
2097-3-03	70" All Purpose Accessory Cross Member	43 lbs.
2097-3	Accessory Cross Member	20 lbs.

Ford E-Series, Chevy Express, & GMC Savana do not require a mounting channel kit



Powder Coated Aluminum Rack for Compact Vans

MODEL	DETAILS	WEIGHT
218-3-03	60" All Purpose Aluminum Van Rack	31 lbs.
222-3-03	60" All Purpose Accessory Cross Member	17 lbs.

Powder Coated Heavy Duty Steel Rack for Chevy Express, GMC Savana, Ford E-Series

MODEL	DETAILS	WEIGHT
205-3	2 Cross Member Rack - White	42 lbs.
216-3	3 Cross Member Rack - White	62 lbs.
2056-3	Accessory Cross Member - White	23 lbs.

SAFARI RACK - FULL-SIZE VANS

Excellent for hauling all types of materials, the Safari Rack easily accommodates 4-foot wide loads and distributes the weight evenly over eight cross members to protect the roof of the van. **Fits GMC Savana, Chevy Express, Ford E-Series** only.

FRONT & REAR CROSS MEMBERS

extend over the ends of the van for protection when loading ladders and other long materials

ANTI-WEAR PROTECTION

on cross members helps protect ladders and building materials during transport

CROSS MEMBERS

are constructed of 13-gauge, 1¼" x 1¼" square steel tubing and spread the load evenly to protect long, fragile materials

AIR FOIL

eliminates wind noise and mounts to the front of the cross member

STAINLESS STEEL MOUNTING BRACKETS

are extra wide for superior attachment strength to the gutter

VELCRO STRAPS

assist in securing your ladder for transport



Safari Rack

MODEL	DETAILS	LENGTH	WIDTH	HEIGHT	WEIGHT
210-3	Safari Rack	140"	64"	150¾"	205 lbs.

For GMC Savana, Chevy Express, Ford E-Series vans only.

SLIDING LADDER RACK

Our Sliding Ladder Rack provides quick and easy ladder storage inside your van, enclosed trailer, or cube van. Rugged and durable, this rack fits 8-foot step, extension, or multi-position ladders up to 80 lbs. mounted to the roof. Updated for easy mounting to Transit and ProMaster vans.

UNIVERSAL MOUNTING BRACKET

adjusts to different vehicles

3-PIECE RAIL ASSEMBLY

accepts up to an 8' ladder

NEW ROOF MOUNTING BRACKET

for Transit and ProMaster installation

ADJUSTABLE CRADLE

accommodates different types of ladders

TENSION CORD GUIDE

prevents cords from tangling

SAFETY CABLE

secures ladder in place



Sliding Ladder Rack

MODEL	DETAILS	LENGTH	WIDTH	HEIGHT	WEIGHT
250	Sliding Ladder Rack	46½"	17"	13¾"	30 lbs.

CONDUIT CARRIERS

Aluminum Conduit Carrier

mounts to all Weather Guard Ladder Racks

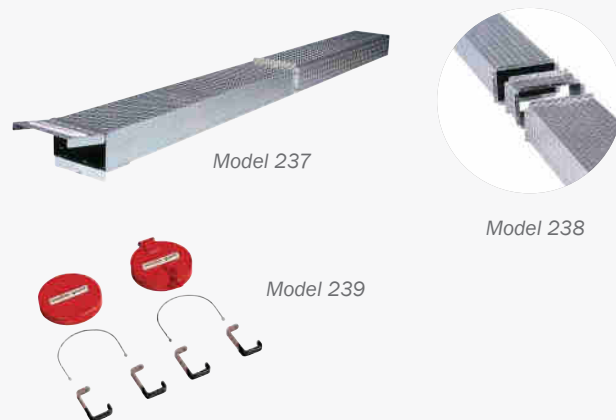
MODEL	DETAILS	LENGTH	WIDTH	HEIGHT	WEIGHT
237	Conduit Carrier	121½"	11"	6"	40 lbs.
238	Extension	6"	11"	6"	4 lbs.

(Mounts to EZGLIDE™ with third Cross Member.)

Make-Your-Own Conduit Carrier

MODEL	WEIGHT
239	4 lbs.

PVC not included. Separately purchase a section of standard 6" PVC (9ASTM D2665) plastic drain pipe. Coordinate the length of the PVC with the length of conduit you'll be carrying.



Roof Rack Fitting Guide



VEHICLE TYPE MODEL YEARS	FULL-SIZE VANS									COMPACT VANS						OTHER	
	Low-roof					Mid-/High-roof				Ford Transit Connect 2010-2013	Ford Transit Connect 2014-2018	Ram ProMaster City™ 2015-2018	Chevrolet City Express 2015-2018	Nissan NV200 2014-2018	MercedesMetris 2016-2018	Service Bodies	Box Trucks / Trailers
	Ford Transit 2015-2018	Ford E-Series 1992-2013	Chevrolet Express 1996-2018	GMC Savana 1996-2018	Nissan NV 2011-2018	Ford Transit 2015-2018	Ram ProMaster® 2014-2018	Mercedes Sprinter 2007-2018	Nissan NV 2011-2018								
MOUNTING KITS																	
2085-0-01		N/R	N/R						X	X	X	X	X	X			
2102-0-01	X ²	N/R	N/R			X ²											
2130-0-01	X ²	N/R	N/R			X ²											
2113-0-01		N/R	N/R		X			X								X	
2115-0-01		N/R	N/R					X									
2505		N/R	N/R													X	
EZGLIDE2™ DROP-DOWN LADDER RACKS																	
2261-3-01									X	X	X	X	X	X			
2265-3-01									X	X	X	X	X	X			
2267-3-01									X	X	X	X	X	X			
2271-3-01	X	X ¹	X ¹	X ¹	X												
2275-3-01	X	X ¹	X ¹	X ¹	X												
2277-3-01	X	X ¹	X ¹	X ¹	X												
2291-3-01						X	X	X	X						X	X	
2295-3-01						X	X	X	X						X	X	
2297-3-01						X	X	X	X						X	X	
ALUMINUM QUICK CLAMP RACKS																	
223-3-03									X	X	X	X	X	X			
224-3-03									X	X	X	X	X	X			
225-3-03									X	X	X	X	X	X			
233-3-01		X ¹	X ¹	X ¹													
234-3-01		X ¹	X ¹	X ¹													
233-3-03	X				X												
234-3-03	X				X												
236-3-03	X				X												
ALUMINUM ALL-PURPOSE RACKS																	
209-3-03	X	X ¹	X ¹	X ¹	X	X	X	X	X								
2097-3-03	X	X ¹	X ¹	X ¹	X	X	X	X	X								
218-3-03									X	X	X	X	X	X			
222-3-03									X	X	X	X	X	X			
STEEL ALL-PURPOSE RACKS																	
205-3-205-5		X ¹	X ¹	X ¹													
216-3-216-5		X ¹	X ¹	X ¹													
2056-3-2056-5		X ¹	X ¹	X ¹													

- Gutter-mounted Van Rack
- Use 2102-0-01 with 148" WB and 148" XWB Transit 2130-0-01 with 130" WB

Part Number Reference Guide

MODEL	DESCRIPTION	PAGE
205-3	All-Purpose Steel Van Rack (<i>gutter mount</i>)	32,34
205-5	All-Purpose Steel Van Rack (<i>black, gutter mount</i>)	34
2056-3	Accessory Cross Member	32,34
2056-5	Accessory Cross Member (<i>black</i>)	34
2060-3-01	EZGLIDE2™ Accessory Cross Member 60"	29
2070-3-01	EZGLIDE2™ Accessory Cross Member 70"	29
2085-0-01	Roof Mounting Channel Kit (<i>compact van 85"</i>)	28,30,32
209-3-03	All Purpose Aluminum Rack (<i>full-size van</i>)	32, 34
2097-3-03	All Purpose Aluminum Accessory Cross Member	32, 34
2102-0-01	Roof Mounting Kit (<i>Transit 148" WB, 148" XWB</i>)	28, 30,32
210-3	Safari Rack (<i>gutter mount</i>)	33
2113-0-01	Roof Mounting Kit (<i>Sprinter/Nissan NV</i>)	28,30,32
2115-0-01	Roof Mounting Kit (<i>Promaster</i>)	28,30,32
2130-0-01	Roof Mounting Kit (<i>Transit 130" WB</i>)	28,30,32
216-3	3-bar All-Purpose Steel Van Rack (<i>gutter mount</i>)	32,34
216-5	3-bar All-Purpose Steel Van Rack (<i>black, gutter mount</i>)	34
218-3-03	All Purpose Alum Rack (<i>compact van</i>)	32,34
222-3-03	All Purpose Alum Compact Accessory Cross Member	32,34
223-3-03	Quick Clamp Rack (<i>compact van, passenger side</i>)	30,34
224-3-03	Quick Clamp Rack (<i>compact van, dual</i>)	30,34
225-3-03	Quick Clamp Compact Accessory Cross Member	30,34
2254D-3-01	EZGLIDE2™ Quick Clamp Add-On (<i>driver side</i>)	29,34
2254P-3-01	EZGLIDE2™ Quick Clamp Add-On (<i>passenger side</i>)	29,34
2261-3-01	EZGLIDE2™ Drop-Down Rack (<i>compact</i>)	29,34
2265-3-01	EZGLIDE2™ Ladder Dual Drop-Down Kit (<i>compact, long</i>)	29,34
2267-3-01	EZGLIDE2™ Dual Drop-Down Kit (<i>cross member</i>)	29, 34
2271-3-01	EZGLIDE2™ Drop-Down Rack (<i>low roof</i>)	29, 34
2275-3-01	EZGLIDE2™ Long Ladder Drop-Down Kit (<i>dual, low roof</i>)	29, 34
2277-3-01	EZGLIDE2™ Dual Drop-Down Kit (<i>cross member, low roof</i>)	29, 34
2291-3-01	EZGLIDE2™ Ext. Drop-Down Rack (<i>mid/high roof</i>)	29, 34
2295-3-01	EZGLIDE2™ Long Ladder Ext. Dual Drop-Down Kit	29, 34
2297-3-01	EZGLIDE2™ Ext. Dual Drop-Down Kit (<i>cross member, mid/high roof</i>)	29, 34
233-3-01	Quick Clamp Accessory Cross Member (<i>gutter mount</i>)	31, 34
233-3-03	Quick Clamp Accessory Cross Member	30, 34
234-3-01	Quick Clamp Rack (<i>full-size, dual, gutter mount</i>)	31, 34
234-3-03	Quick Clamp Rack (<i>full-size, dual</i>)	30, 34
236-3-03	Quick Clamp Rack (<i>full-size, passenger side</i>)	30, 34
237	Conduit Carrier (<i>aluminum 11"</i>)	33
238	Conduit Carrier Extension	33
239	Conduit Carrier Kit	33
250	Sliding Ladder Rack	33
2501	Accessory Warning Light Holder	29
2502	Accessory Mirror Holder	29
2503	Accessory Velcro Straps	29
2504	Accessory Mirror	29
2505	KUV Mounting Bracket	28, 34
301-3	PACK RAT® Drawer Unit	25
303-3	PACK RAT® Drawer Unit	25
304-3	PACK RAT® Drawer Unit	25
305-3	PACK RAT® Drawer Unit	25
306-3	PACK RAT® Drawer Unit	25
307-3	PACK RAT® Drawer Unit	25
308-3	PACK RAT® Drawer Unit	25
308-5	PACK RAT® Drawer Unit	25
3100	BED RAT® Sliding Platform	27
310-3-01	PACK RAT® Drawer Unit (<i>12" x 42" x 17"</i>)	25
312-3	PACK RAT® Drawer Unit	25
314-3	ITEMIZER® Drawer Unit (<i>Single</i>)	26
316-3	ITEMIZER® Drawer Unit (<i>2 drawer, lateral</i>)	26
317-3	ITEMIZER® Drawer Unit (<i>3 drawer, lateral</i>)	26
318-3	ITEMIZER® Drawer Unit (<i>4 drawer, lateral</i>)	26
3200	BED RAT® Sliding Platform	27
326-3	ITEMIZER® Drawer Unit (<i>2 drawer, stacked</i>)	26
327-3	ITEMIZER® Drawer Unit (<i>3 drawer, stacked</i>)	26
328-3	ITEMIZER® Drawer Unit (<i>4 drawer, stacked</i>)	26
334-3	PACK RAT® Drawer Unit	25
335-3	PACK RAT® Drawer Unit	25
336-3	PACK RAT® Drawer Unit	25
337-3	PACK RAT® Drawer Unit	25
338-3	PACK RAT® Drawer Unit	25
338-5	PACK RAT® Drawer Unit	25
3400	BED RAT® Sliding Platform	27
70206-xx	Replacement Lock Kit	14
70210-xx	Key Kit	14
70211-xx	Replacement D-Handle Kit	14
70214	Replacement Parts Bin	19
8080-3-01	Accessory Jumbo Shelf (<i>24" x 42 1/4"</i>)	13

