

# R316 & R416 Series

- SAE Class 1 Certified
- 100% solid-state “rotating” technology simulates the appearance of a rotating beacon without any moving parts or motors
- Medium profile, smooth polycarbonate outer dome
- Conformal coated electronics for moisture and vibration resistance
- Hard-coated lenses minimize environmental damage from sand, sun, salt, and road chemicals
- Cruise light feature
- Available in permanent, magnetic and magnetic/suction mount models
- Synchronize to other Whelen sync products
- Five year warranty



Half rotator light module



R316

R416

Model	Mount	Profile	LED Color	Dome Color	Base	Amps	Patterns	VDC
R316*F	Permanent	Low	Single Amber or White	Color	Powder coated cast aluminum	2.25/@ 12 VDC	32 Scan-Lock™ with varying rotating flash rates	12
R316*M	Magnetic							
R316*V	Magnetic/suction							
R316**F	Permanent							
R316**M	Magnetic							
R316**V	Magnetic/suction							
R416*F	Permanent	High	Single Amber or White	Clear			Includes cruise light	24 Available
R416*M	Magnetic							
R416*V	Magnetic/suction							
R416**F	Permanent							
R416**M	Magnetic							
R416**V	Magnetic/suction							

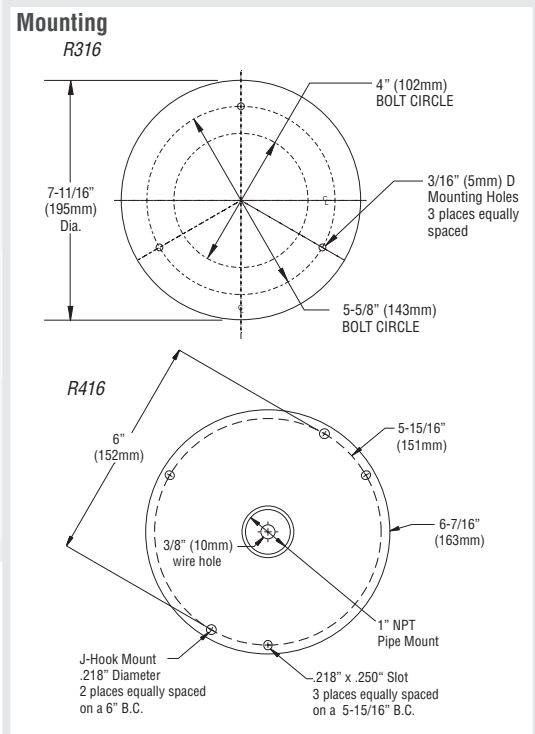
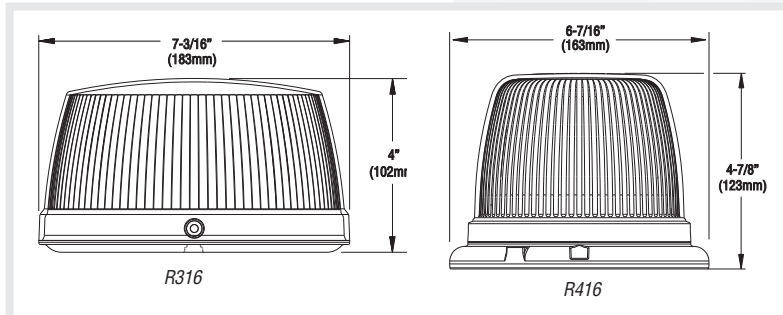
Replace symbol\* in model number with letter indicating desired color: A=Amber, C=White



Model	Option Description
BBKT20	Stainless steel shelf mount bracket mounts to flat vertical surface
MIRROR20	Stainless steel West Coast mirror mount bracket
RPHOTO	Photocell for Hi/Low power
L360BGB	Branch guard kit for R316
L40BG	Branch guard kit for R416

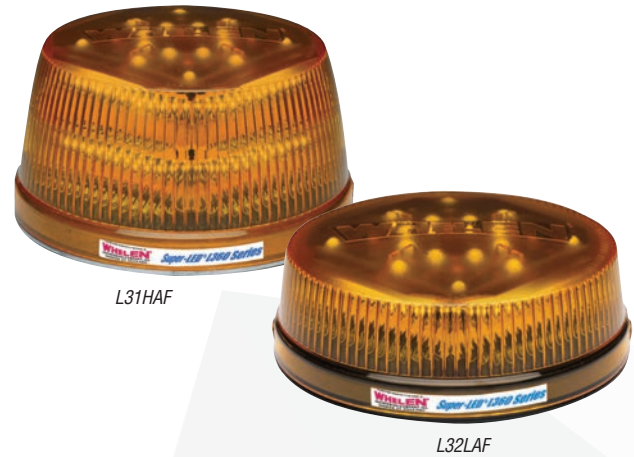
Model	Replacement Dome
R316	68-2984063-*0
R416	68-2986501-*0

\* Use 1 for Amber, 3 for Clear



# L31 & L32 Series

- SAE Class 1 Certified (Amber)
- L31CA models meet California Title XIII (Amber)
- Super-LED® beacon
- Powder coated die-cast base
- Hard-coated lenses minimize environmental damage from sand, sun, salt, and road chemicals
- Conformal coated electronics for moisture and vibration resistance
- Alternately or simultaneously flash multiple patterns (Cross-Link™) with up to 8 Whelen Super-LED 360° beacons (perm mount)
- Amber/Green split beacon with Clear dome
- Five year warranty



Model	Mount	Profile	Color	Base	Amps	Patterns	VDC	Control	Certification				
L31H*F	Permanent	High	Amber or White	Die cast aluminum	5.0/peak 2.0/avg	Permanent mount 30 built-in Scan-Lock™ flash patterns plus 4 simulated rotating patterns	12	Hi/Low control	SAE Class 1				
L31H*M	Magnetic							-					
L31H*V	Magnetic/suction							-					
L31HAF4	Permanent		Amber					Die cast aluminum	5.0/peak 2.0/avg	Permanent mount 30 built-in Scan-Lock™ flash patterns plus 4 simulated rotating patterns	12	Hi/Low control	California Title XIII
L31HAFCA	Permanent											-	
L31HAMCA	Magnetic											-	
L31HAVCA	Magnetic/suction											-	
L31HPF	Permanent	Amber/Green	-	-	-	-	-	-					
L32L*F	Permanent	Low	Amber or White	Die cast aluminum	2.5/peak 1.0/avg	Magnetic mount 75 SignalAlert™ only	12	Hi/Low control	SAE Class 1				
L32L*M	Magnetic							-					
L32L*V	Magnetic/suction							-					
L32LAF4	Permanent		Amber					24	Hi/Low control	-			

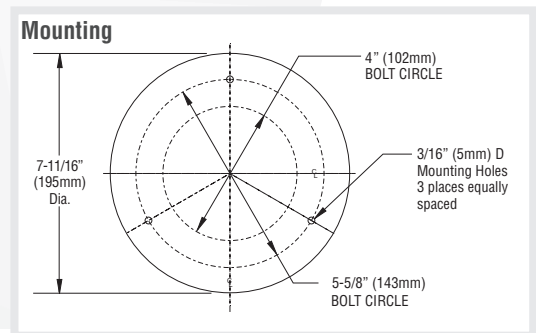
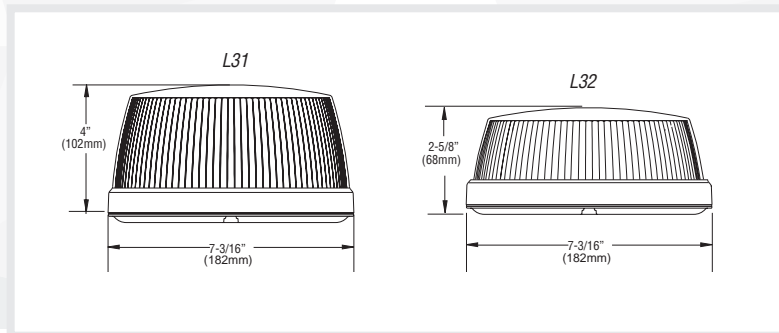
Replace symbol\* in model number with letter indicating desired color: A=Amber, C=White



Model	Option Description
L360PMKT	1" NPT pipe mount kit for L31/L32
L360BGB	Branch guard kit for L31 allows 1" NPT pole mounting
MIRROR20	West Coast mirror mount brackets
BBKT30	Stainless steel shelf mount bracket mounts to flat vertical surface

Replacement Dome
68-2984063-*0 (High)
68-2984099-*0 (Low)

\* Use 1 for Amber, 3 for Clear



BBKT30 flat vertical surface mounting bracket



MIRROR20 mirror mount brackets

# L41 Series

- SAE Class 1 Certified (Amber)
- Super-LED® beacon
- Medium profile, smooth polycarbonate outer dome
- Hard-coated lenses minimize environmental damage from sand, sun, salt, and road chemicals
- Fully encapsulated for moisture, vibration and corrosion resistance
- Available in permanent, magnetic and magnetic/suction mounts
- Virtually no RFI/EMI radiation
- Five year warranty



L41AP

Model	Mount	Color	Base	Amps	Patterns	VDC	Control
L41*P	Permanent	Amber or White	Cast aluminum powder coated	1.5/peak 0.6/avg @ 12V .75/peak 0.3/ avg @ 24V	75 SignalAlert™ default, 25 selectable patterns total, including steady-burn	12/24	Photocell Hi/Low on permanent mount only, contact factory
L41*M	Magnetic						
L41*V	Magnetic/suction						

Replace symbol\* in model number with letter indicating desired color: A=Amber, C=White



Model	Option Description
BBKT20	Stainless steel shelf mount bracket mounts to flat vertical surface
MIRROR20	West Coast mirror mount brackets
L40BG	Branch guard



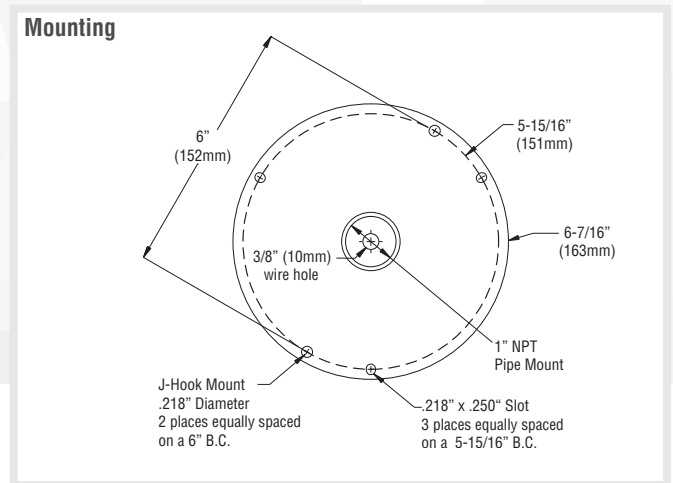
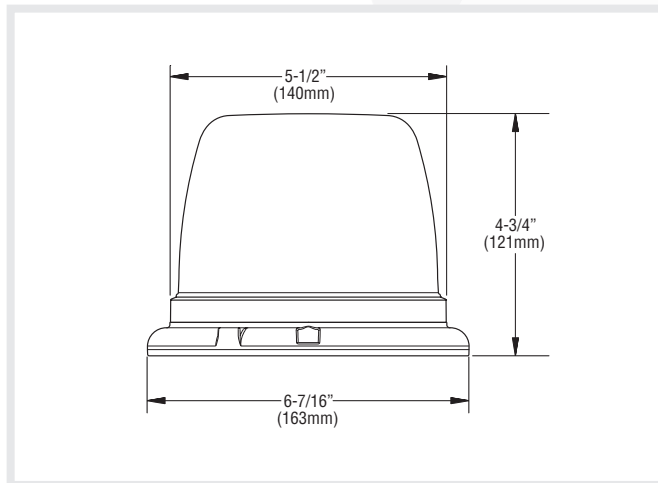
MIRROR20 West coast mirror mount brackets mounts directly on existing mirror brackets



L40BG Branch guard

Replacement Dome
68-2986501-*0

\* Use 1 for Amber, 3 for Clear



# L10 Series

- SAE Class 1 Certified (Amber)
- Super-LED® beacon
- High and low dome models
- Available in permanent, magnetic and magnetic/suction mounts
- Hard-coated lenses minimize environmental damage from sand, sun, salt, and road chemicals
- Virtually no RFI/EMI radiation
- Available in SOLO™ and DUO™
- DUO technology features different color LEDs in the same module allowing individual control of each color
- Five year warranty



L10LAP

L10HFP

Model	Mount	Profile	Color	Base	Amps	Patterns	VDC	
L10H#P	Permanent/ pipe/hook	High	DUO Amber/White or Amber/Blue	Polycarbonate	1.0/peak 0.4/avg	24 Scan-Lock™ flash patterns plus synchronize feature	12	
L10L#P		Low						
L10H*P		High	Amber or White					
L10HAP4	Amber		75 SignalAlert™ default pattern			24		
L10HAM						Magnetic	12	
L10HAV	Magnetic/suction							
L10L*P	Permanent/ pipe/hook	Low	Amber or White			18 flash patterns available	24	
L10LAP4			Amber					12
L10LAM								
L10LAV	Magnetic/suction							

Replace symbol\* in model number with letter indicating desired color: A=Amber, C=White  
 Replace # in model number with desired DUO color: F=Amber/White, M=Amber/Blue



Model	Option Description
MIRROR20	West Coast mirror mount bracket
BGH	Branch guard, high dome
BGL	Branch guard, low dome
BBKT20	Stainless steel shelf mount bracket, mounts to flat vertical surface
MMK	90 lb. Pull magnetic mount kit with 8' straight cord and plug
LSK	Single lighted switch (15 amp rated), mounted on bracket, wired and fused



**MIRROR20**  
West coast mirror mount brackets mount directly on existing mirror brackets



**MMK**  
magnetic mount kit



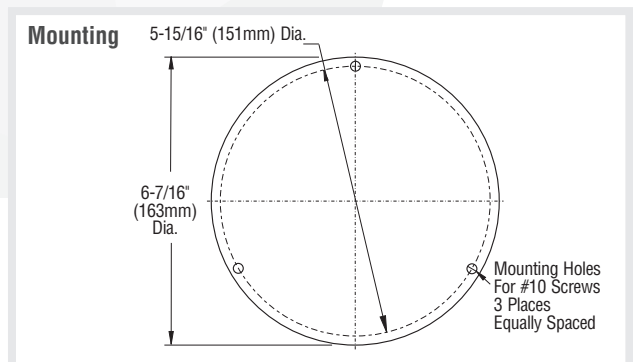
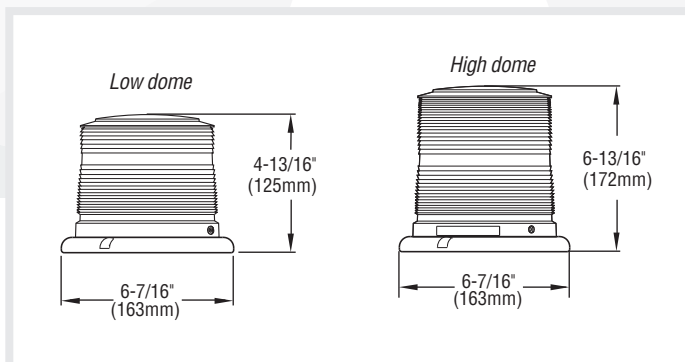
**LSK**  
lighted switch



**BGH**  
Branch guard

Model	Replacement Dome
DH2000*	High dome
DL2000*	Low dome

\*Use A for Amber, C for Clear



# L21 Series

- SAE Class 1 Certified (Amber)
- Super-LED® beacon
- Hard-coated lenses minimize environmental damage from sand, sun, salt, and road chemicals
- Fully encapsulated for moisture, vibration and corrosion resistance
- Available in combination (perm/pipe/"J" hook), magnetic and magnetic/suction mounts
- Virtually no RFI/EMI radiation
- Green beacon with Clear dome
- Five year warranty

Note: Magnetic and magnetic/suction mounts do not include synchronization or pattern control capabilities.

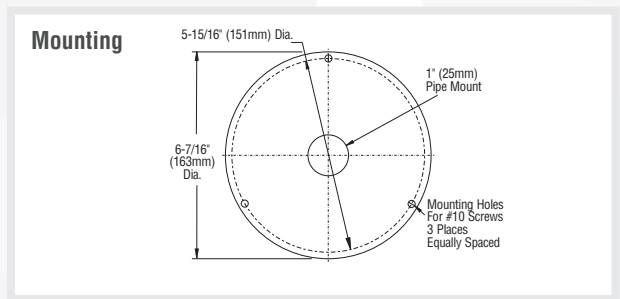


Model	Mount	Profile	Colors	Base	Amps	Patterns	Sync	VDC	SAE
L21H*P	Combination	High	Amber & White	Poly-carbonate	1.5/peak 0.60/average @ 12 VDC	25 Scan-Lock™ patterns including steady-burn	Yes	12	J845 Class 1 360° (Amber)
L21H*M	Magnetic						-		
L21H*V	Magnetic/suction						-		
L21H*P4	Combination						Green	Yes	
L21H4P		Low	Amber & White		-			12	
L21L4P					-				
L21L*P	Combination	Low	Amber & White		0.75/peak 0.30/average @ 24 VDC		Yes	24	
L21L*M					Magnetic		-		
L21L*V					Magnetic/suction		-		
L21L*P4	Combination						Yes	24	

Replace symbol\* in model number with letter indicating desired color: A = Amber, C = White



Model	Option Description
BBKT20	Stainless steel shelf mount bracket mounts to flat vertical surface
MIRROR20	West Coast mirror mount brackets
MMK	Magnetic kit with 8' cord & plug
BGH	Branch guard, High dome
BGL	Branch guard, Low dome
LSK	Lighted switch kit mounted on bracket, wired & fused



Replacement Dome
DH2000* (High)
DL2000* (Low)

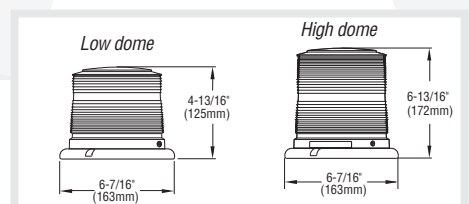
\*Use A for Amber, C for Clear



BBKT20 flat vertical surface mounting bracket



MIRROR20 West Coast mirror mount brackets mount directly on existing mirror brackets



# L50 Series

- SAE Class 1 Certified (L51 Series)
- SAE Class 3 Certified (L53 Series)
- Super-LED® beacon
- Twist-off polycarbonate dome
- Hard-coated lenses minimize environmental damage from sand, sun, salt, and road chemicals
- Available in permanent and magnetic mount
- L51 available in Amber and White
- L53 available in Amber
- Five year warranty



Model	Mount	Colors	Base	Amps	VDC	Patterns	Encapsulated	SAE
L51*P	Permanent	Amber or White	Polycarbonate	1.5/peak 0.6/avg	12	25 patterns	Yes	Class 1
L51*M	Magnetic							
L53AP	Permanent	Amber only		0.4/peak 0.16/avg		15 patterns	-	Class 3 (Amber)
L53AM	Magnetic							

Replace symbol\* in model number with letter indicating desired color: A = Amber, C = White



Model	Option Description
MIRROR15	West Coast mirror mount bracket
BBKT15	Stainless steel shelf mount bracket mounts to flat vertical surface



Replacement Dome
D1500*

\* Use 1 for Amber, 3 for Clear

