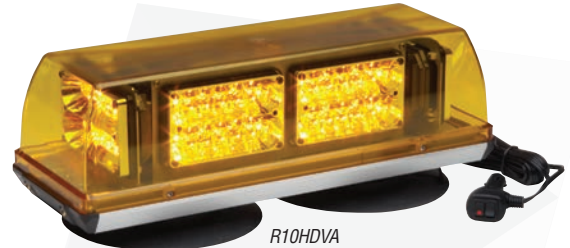
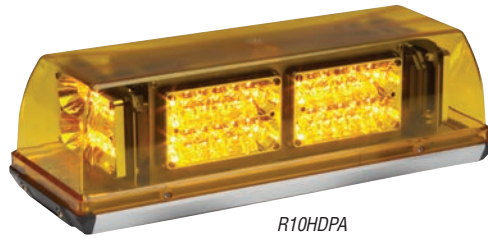


# Responder® HD Series

- SAE Class 1 Certified (Amber)
- Universal permanent mount version easily retrofits most competitive model footprints
- Hard-coated lenses minimize environmental damage from sand, sun, salt, and road chemicals
- Permanent bolt mount versions include 6" pigtail; magnetic mount and magnetic/suction versions include: 10' straight cord with cigar plug with LED on indicator, On/Off switch and pattern control switch
- Five year warranty



Model	Technology	Color	Mount	Amps	VDC	Patterns	Base	Size
R10HDP*	Super-LED®	Amber or White	Permanent	9.0/peak 3.6/avg	12	12 Scan-Lock™	Aluminum	5.125" (130mm) H x 17.25" (438mm) W x 6.313" (160mm) D
R10HDM*			Magnetic			75 SignalAlert™		
R10HDV*			Magnetic/suction					

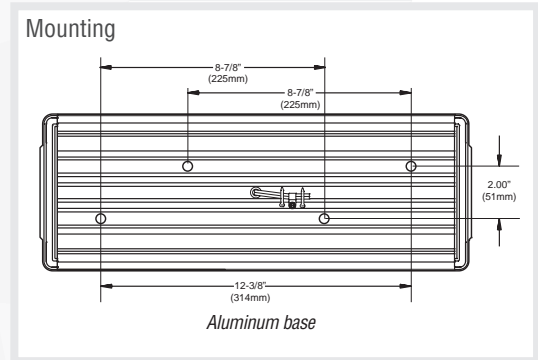
Replace symbol\* in model number with letter indicating desired color: A = Amber, C = White



Model	Option Description
RDXMM90	90 lb. pull magnet mount kit with cigar plug
INSTLRDX	Installation of RDXMM90 (for permanent mount only)

Replacement Dome
68-1181893-*0

\* Use 1 for Amber, 3 for Clear



# Responder® R1LP Series

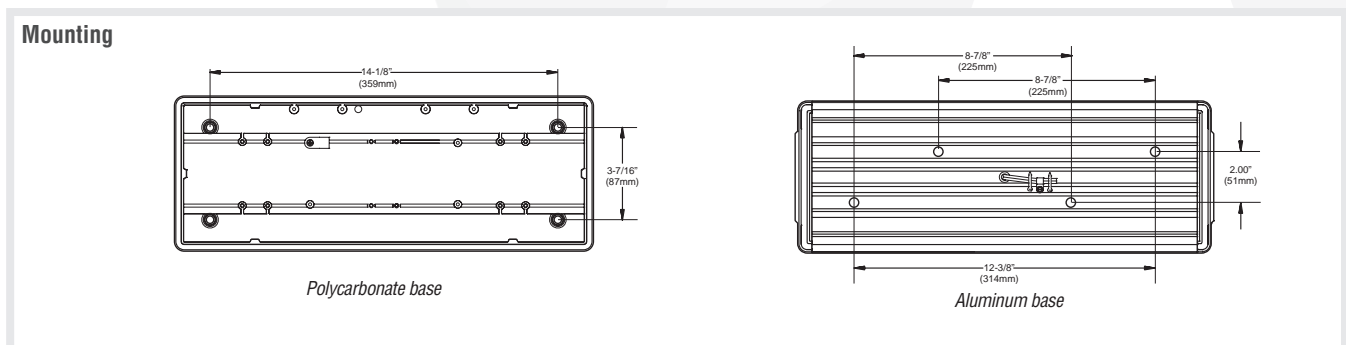
- SAE Class 1 Certified (Amber)
- Super-LED® low profile conical CON3™ mini lightbar
- Polycarbonate dome
- Hard-coated lenses minimize environmental damage from sand, sun, salt, and road chemicals
- Available with extruded aluminum base or polycarbonate base
- Available in permanent, magnetic and magnetic/suction mount models
- Five year warranty



Model	Technology	Color	Dome	Mount	Base	Amps	VDC	Patterns	Size
R1LPPA	CON3 Super-LED	Amber	Amber	Permanent	Poly-carbonate	3.0/peak 1.2/avg	12	30 Scan-Lock™ patterns including 4 simulated rotating patterns (perm mount only)  ActionScan™ default for magnetic mount only	2.845" (73mm) H x 17" (431mm) W x 6.313" (160mm) D
R1LPPCA			Clear						
R1LPMA			Amber	Magnetic					
R1LPMCA			Clear						
R1LPVA			Amber	Magnetic/suction					
R1LPVCA			Clear						
R1LPHPA			Amber	Permanent	Aluminum				
R1LPHPCA			Clear						
R1LPHMA			Amber	Magnetic					
R1LPHMCA			Clear						
R1LPHVA			Amber	Magnetic/suction					
R1LPHVCA			Clear						
R1LPPF		Split color Amber/White	Clear	Permanent	Poly-carbonate				2.845" (73mm) H x 17" (431mm) W x 6.313" (160mm) D
R1LPMF				Magnetic					
R1LPVF	Magnetic/suction								

Replacement Dome
68-2986618-*0

\* Use 1 for Amber, 3 for Clear



# Responder® R2LP Series

- SAE Class 1 Certified (Amber)
- Super-LED® low profile linear LIN6™ mini lightbar
- Polycarbonate dome
- Hard-coated lenses minimize environmental damage from sand, sun, salt, and road chemicals
- Available with extruded aluminum base or polycarbonate base
- Available in permanent, magnetic and magnetic/suction mount models
- DUO™ technology model has different color LEDs in the same module allowing lightbar to flash different colors
- Five year warranty

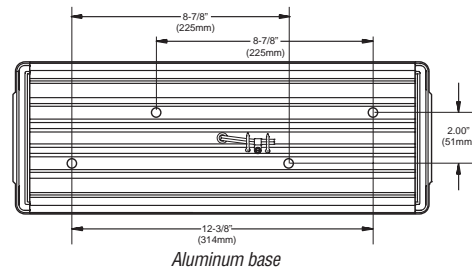
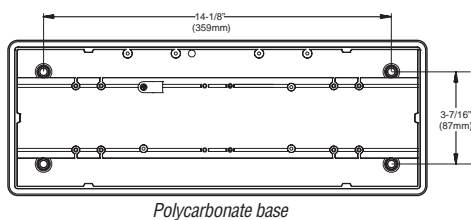


Model	Technology	Color	Dome	Mount	Base	Amps	VDC	Patterns	Size				
R2LPPA	LIN6 Super-LED	Amber	Amber	Permanent	Poly-carbonate	6.0/ peak 2.4/ avg	12  (24V available in R2LPP R2LPM models)	30 Scan-Lock™ patterns including 4 simulated rotating patterns (perm mount only)  ActionScan™ default for magnetic mount only	2.845" (73mm) H x 17" (431mm) W x 6.313" (160mm) D				
R2LPPCA			Clear										
R2LPMA			Amber	Magnetic									
R2LPMCA			Clear										
R2LPVA			Amber	Magnetic/suction									
R2LPVCA			Clear										
R2LPHPA			Amber	Permanent	Aluminum								
R2LPHPCA			Clear										
R2LPHMA			Amber	Magnetic									
R2LPHMCA			Clear										
R2LPHVA			Amber	Magnetic/suction									
R2LPHVCA			Clear										
R2LPPF			Split color Amber/White	Clear	Permanent				Poly-carbonate	6.0/ peak 2.4/ avg	12	33 Scan-Lock™ patterns	2.845" (73mm) H x 17" (431mm) W x 6.313" (160mm) D
R2LPMF					Magnetic								
R2LPVF	Magnetic/suction												
RDLPPAB	DUO LIN6 Super-LED	DUO Amber/Blue	Permanent										

**Replacement Dome**  
68-4986619-\*0

\* Use 1 for Amber, 3 for Clear

## Mounting



# Mini Century™ Series

- SAE Class 1 Certified
- Extruded aluminum base
- Hard-coated lenses minimize environmental damage from sand, sun, salt, and road chemicals
- Standard current switching with Scan-Lock™ flash patterns and pattern override
- Low profile with compression fit gasket for superior moisture resistance
- Pre-configured lightbars
- Five year warranty



Model	Technology	Modules	Mount	Amps	VDC	Patterns	Dome	Base	Size
MC11PA	Linear Super-LED® corners	6 Amber	Permanent	3.6/peak 2.2/avg	12	17 Scan-Lock	Amber	Extruded aluminum platform	2.50" ( 64mm) H x 11" (279mm) W x 7.50" (191mm) D
MC11MA			Magnetic						
MC11SA			0.75" (19mm) Stud						
MC16PA	Permanent								
MC16MA	Magnetic								
MC16VA	Magnetic/suction								
MC16SA	0.75" (19mm) Stud	4.8/peak 3.0/avg	2.50" ( 64mm) H x 16" (406mm) W x 7.50" (191mm) D						
MC16PF	Permanent								
MC16MF	Magnetic								
MC16VF	Magnetic/suction								
MC16SF	0.75" (19mm) Stud								
MC23PA	TIR6™ Super-LED inboards	4 Amber 4 White		Permanent					7.2/peak 4.4/avg
MC23MA			Magnetic						
MC23VA			Magnetic/suction						
MC23SA			0.75" (19mm) Stud						



# Mini Justice® Series

- SAE Class 1 Certified
- Super-LED CON3™ modules and Linear Super-LED corners
- Hard-coated lenses minimize environmental damage from sand, sun, salt, and road chemicals
- Permanent models includes 15' cable, magnetic and magnetic/suction mount with 10' cord, cigar plug with On/Off switch with LED "On" indicator, and flash pattern switch
- Low profile, only 2.25" high
- Five year warranty



Model	Technology	Mount	Amps	VDC	Patterns	Base	Dome	Size
MJY****P	CON3 Super-LED	Permanent	4.0/peak 1.6/avg (4 corners)	12	95 Scan-Lock	Extruded aluminum	Clear	2.25" (57mm) H x 22" (558mm) W x 12" (304mm) D
MJY****M		Magnetic						
MJY****V		Magnetic/suction						

Replace symbol\* in model number with letter indicating desired color: A = Amber, C = White



Model	Option Description
JDC*	One CON3 Super-LED module
JDH*	One LTR3™, Super-LED module. Use with MJTDAL only

Model	Option Description
MJTDALL1	Four LR11 Super-LEDs, two steady-burn take-downs, and alley lights with 15° horizontal adjustment, for permanent models only

# Mini Freedom® IV Series



- SAE Class 1 Certified
- Hard-coated lenses minimize environmental damage from sand, sun, salt, and road chemicals
- Magnetic mount includes cigar plug with On/Off and pattern switches
- Permanent mount includes 15' cable
- Add two front and two rear optional inboard Super-LED® modules
- Clear outer domes with Clear dividers
- Alley and take-down options available for permanent mount models
- Standard permanent mount models provide low power and individual control of front corner, rear corner, and optional front/rear inboard modules
- Color filters available for full customization
- Five year warranty



Model	Technology	Color	Mount	Amps	VDC	Patterns	Base	Dome	Size
F4M****P	Linear Super-LED	Amber or White	Permanent	4	12	58 Scan-Lock™ with external control	Extruded aluminum I-Beam	Clear	3.75" (95mm) H x 21.50" (546mm) W x 12.50" (318mm) D
F4M****M			Magnetic						
F4M*0*0F	Front Facing Linear Super-LED		Permanent	2					

Replace symbol\* in model number with letter indicating desired color: A = Amber, C = White



Model	Option Description
F4DL*	One single long 12 Linear Super-LED lighthouse, Amber or White
<b>For Permanent Mount Front Facing Only</b>	
F4WA*	One (Alley/Side) facing single short 6 Linear Super-LED lighthouse, Amber, or White

Model	Option Description
<b>For Permanent Mount Only</b>	
F4MA3	Two 3-LED Super-LED alley lights, includes harnesses
F4MA6	Two 6-LED Super-LED alley lights, includes harnesses
F4MTL6	Two 6-LED Super-LED long take-down lights, includes harnesses
F4MTATL3	Two 3-LED Super-LED alley lights and two 6-LED Super-LED long take-down lights, includes harnesses
F4MTATL6	Two 6-LED Super-LED alley lights and two 6-LED Super-LED long take-down lights, includes harnesses

# Mini Freedom® IV Rota-Beam™



- SAE Class 1 Certified
- Rotating Super-LED® Technology
- 100% solid-state electronics
- Single color corner modules available in Amber or White
- Hard-coated lenses minimize environmental damage from sand, salt, sun, and road chemicals
- Available in permanent mount, includes 15' cable
- Clear outer domes with Clear dividers
- Extruded aluminum platform for long life dependability
- Alley and take-down light options available
- Available with color domes
- Five year warranty



Rota-Beam  
half rotator  
light module

Model	Technology	Color	Mount	Amps	VDC	Patterns	Base	Dome	Size
R4B****P	Rotating Super-LED	Amber or White	Permanent	9	12	10 Scan-Lock™	Extruded aluminum I-Beam	Clear	3.75" (95mm) H x 23.313" (592mm) W x 12.50" (318mm) D
R4B*0*0P	Rotating Super-LED forward facing			4.5					

First and Second \* for Driver Side Front and Passenger Side Rear and Third and Fourth \* for Driver Side Rear and Passenger Side Front

Replace symbol\* or # in model number with letter indicating desired color: A = Amber, C = White



Model	Option Description
F4RB*	One Rota-Beam module, Amber or White, for inboard front or rear
F4RDL*	One single color long 12 Super-LED DYAD™ lighthouse, Amber or White
R4BFLASH	Flasher for front or rear F4RDL*
F4MA3	Two 3-LED alley lights, includes harnesses
F4MA6	Two 6-LED alley lights, includes harnesses
F4RWA*	One single color short 6 Super-LED DYAD light-head, warning for alley light position, Amber or White

Model	Option Description
R4BTL6	Two 6-LED Super-LED long take-down lights, includes harnesses
R4BA3	Two 3-LED Super-LED alley lights, includes harnesses
R4BA6	Two 6-LED Super-LED alley lights, includes harnesses
R4BEND*	Color end dome for lightbar with center section only
R4BEND#	Color end dome with Clear alley window, for lightbar with center section only

# Mini Liberty™ II Series

- SAE Class 1 Certified
- Hard-coated lenses minimize environmental damage from sand, salt, sun, and road chemicals
- Permanent mount includes low profile mounting kit
- Permanent mount includes 15' cable
- Magnetic mount includes 90 lb. pull magnets
- Magnetic and magnetic/suction mounts include 10' cord, cigar plug with On/Off switch with LED "On" indicator, and flash pattern switch
- Clear outer lenses standard (optional color lenses available)
- Five year warranty



IT9AAAAP  
shown with optional inboard modules



Model	Technology	Mount	Color	Amps	VDC	Patterns	Base	Size
IT9****P	Linear Super-LED®	Permanent	Amber or White	4.0/peak 1.6/avg	12	58 Scan-Lock™ patterns	Extruded aluminum	2.50" (64mm) H x 19.375" (490mm) W x 11.313" (287mm) D
IT9****M		Magnetic						
IT9****V		Magnetic/suction						

Replace symbol\* in model number with letter indicating desired color: A = Amber, C = White



Model	Option Description
IWDS*	One short Super-LED single color module
ITTS	Two short Super-LED take-down lights, for permanent mount

Model	Option Description
ITA	Two Super-LED alley lights for permanent mount
ITTSA	Two short Super-LED take-down and alley lights for permanent mount

# Mini Legacy® Series

- SAE Class 1 Certified
- Hard-coated lenses minimize environmental damage from sand, salt, sun, and road chemicals
- Standard permanent mount model provides low power and individual control of front corner, rear corner and optional inboard modules
- One piece UNI-DOME construction with single sealing point
- Permanent mount includes 15' cable
- Magnetic mount includes 90 lb. pull magnets
- Magnetic and magnetic/suction mounts include 10' cord, cigar plug with On/Off switch with LED "On" indicator, and flash pattern switch
- Clear outer lenses standard (optional color lenses available)
- Five year warranty



GT9AAAAM  
shown with optional inboard modules



Model	Technology	Mount	Amps	VDC	Patterns	Base	Size
GT9****P	Linear Super-LED	Permanent	3.72/all on 1.86/per alternating side	12	58 Scan-Lock patterns	Extruded aluminum	1.625" (41mm) H x 19.375" (490mm) W x 11.313" (287mm) D
GT9****M		Magnetic					
GT9****V		Magnetic/suction					

Replace symbol\* in model number with letter indicating desired color: A = Amber, C = White



Model	Option Description
GSDS*	One short single color Super-LED module
GTTS	Two Super-LED take-down lights, for permanent mount

Model	Option Description
GTA	Two Super-LED alley lights for permanent mount
GT TSA	Two short Super-LED take-down and alley lights for permanent mount